

JVC

- EN INSTRUCTION MANUAL
- CZ NÁVOD K POUŽITÍ
- PL INSTRUKCJA OBSŁUGI
- SK NÁVOD NA POUŽITIE
- HU HASZNÁLATI UTASÍTÁS
- RO MANUAL DE INSTRUȚIUNI
- BG РЪКОВОДСТВО ЗА ЕКСПЛОАТАЦИЯ



DAB+ Portable Radio

RA-E313B-DAB

INTRODUCTION

- Thank you for buying our product.
- Please read through these operating instructions, so you will know how to operate your equipment properly. After you finished reading the instructions manual, put it away in a safe place for future reference.

SAFETY INSTRUCTIONS

General

- Heed all warnings - on the product and in the user guide.
- The device should be used in moderate climate.
- Do not use this device near a bathtub, washbowl, kitchen sink, and laundry tub, in a wet basement, near a swimming pool, or anywhere else where water or moisture is present.
- The device shall not be exposed to dripping or splashing, no objects filled with liquids, such as vases, shall be placed on the apparatus.
- Keep the device away from rain and any moisture. Do not place the device in moist and humid conditions, which could lead to malfunction.
- When the device is suddenly moved from a cold environment to a warm one, it may not operate properly if moisture forms inside it. To correct this problem, wait about one hour for the moisture to evaporate.
- Do not expose the device under direct sunlight or nearby objects that radiate heat to avoid damaging the unit.
- No naked flame sources, such as lighted candles, should be placed on the device.
- The ventilation should not be impeded by covering the ventilation openings with items, such as newspapers, table-cloths, curtains, etc. Ensure a minimum distance of 0,1 meters around the device for sufficient ventilations.
- Only use attachments/accessories specified by the manufacturer.
- Unplug this device during lightning storms or when unused for long periods of time to prevent damage to this device.
- To prevent risk of fire or electric shock, avoid overloading wall outlets, extension cords or integral convenience receptacles.
- Refer all servicing to qualified service personnel.

Charging

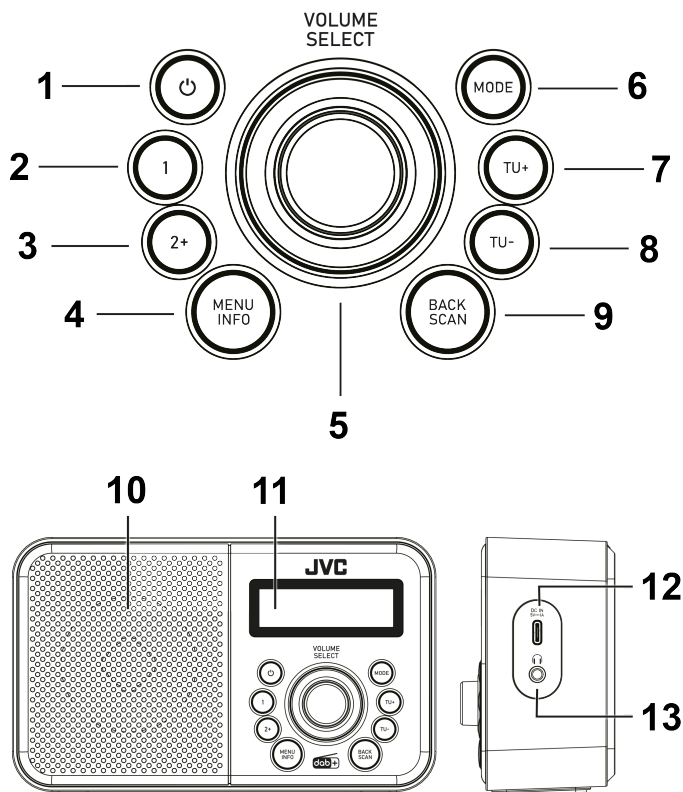
- **NEVER** expose the device to water while charging, as doing so may result in damage to the device or the power source.
- **NEVER** operate this device with a damaged cable or after it has malfunctioned or has been damaged in any manner.
- **NEVER** leave the device unattended while charging. If the device becomes hot, smokes, or gives off an odor during charging, terminate charging immediately.

Risks associated with high volumes



Connect headphones with volume set low and increase it if required. Prolonged listening through some headphones at high volume settings can result in hearing damage. To prevent possible hearing damage, do not listen at high volume levels for long periods.

PRODUCT OVERVIEW AND CONTROL BUTTONS



1. **⏻ STANDBY** button
2. **PRESET 1** button
3. **PRESET 2+** button
4. **MENU/INFO** button
5. **VOLUME/SELECT** knob
6. **MODE** button
7. **TU+** button
8. **TU-** button

9. **BACK/SCAN** button
10. Speaker
11. Display
12. USB-C™ charging port
13. Headphone output

USB Type-C™ and USB-C™ are trademarks of USB Implementers Forum.

GETTING STARTED

CHARGING

Before first-time use, fully charge the built-in battery. The charger is not included in the package, please charge the speaker via a standard 5 V / 1,4 A charger or via a PC. The battery icon on the display indicates the charging status.

NOTE: The display will show <Battery Low> when the battery becomes weak.

IMPORTANT: Please make a complete charge every three months to avoid shortening the battery lifespan.

BASIC OPERATION

Powering ON/OFF

- Press the **⏻ STANDBY** button to switch on the unit.
- Press and hold the **⏻ STANDBY** button to switch the unit back to Standby mode.

Mode selection

Press the **MODE** button repeatedly to switch between DAB, FM, and Bluetooth modes.

Settings menus

- Press and hold the **MENU/INFO** button to enter the menu.
- Turn the **VOLUME/SELECT** knob or press the **TU+/TU-** buttons to move through the menus.
- Press the **VOLUME/SELECT** knob to confirm the setting.
- Press the **BACK/SCAN** button to return to the previous menu or exit the menu.

Language selection

To change the language, press and hold the **MENU/INFO** button, and then select **<Systém>/<Jazyk>** in the menu.

NOTE: The default language is Czech. Available languages are Slovak, Polish, English, and German.

Volume

Turn the **VOLUME/SELECT** knob to adjust the volume.

PRESETS

You can store up to 40 of your favorite DAB or FM stations to the memory. This will enable you to access your favorite stations quickly and easily. To store a preset, you must first be listening to the station that you would like to save.

Storing to Presets 1

- Press and hold the **PRESET 1** button until the display shows **<Preset 1 stored>**.

Storing to Presets 1 ~ 40

- Press and hold the **PRESET 2+** button.
- Turn the **VOLUME/SELECT** knob or press the **TU+/TU-** buttons to select your desired preset station number, then press the knob to confirm.
- The station will be stored in a few seconds, the display will show **<Preset # stored>**.

Recalling Presets 1

Press the **PRESET 1** button.

Recalling Presets 1 ~ 40

- Press the **PRESET 2+** button.
- Turn the **VOLUME/SELECT** knob or press the **TU+/TU-** buttons to select your desired preset station number, then press the knob to confirm.

*NOTE: If you choose a preset station number that has not been allocated a station, the display will show **<# Empty>**.*

DAB OPERATION

NOTE: Extend the telescopic antenna to its full length to get the best reception, or place the unit in an open location.

If the unit is connected to the mains power and then switched on for the first time, the unit will automatically enter into the DAB mode and perform auto scan function. During the scan the display will show <Scanning...> together with a slide bar that indicates the progress of the scan and the amount of stations that have been found so far. Once the scan has finished, the unit will select the first alphanumerically found station.

To explore and listen to the found stations press the **TU+/TU-** buttons to select, then press the **VOLUME/SELECT** knob to confirm.

Full Scan

The Full Scan will search for the entire DAB+ Band III channels.

- To activate Full Scan, press the **BACK/SCAN** button or press and hold the **MENU/INFO** button, and then select <Full Scan>.
- Once a full scan is complete, the radio returns to play the previously selected station or first station on the station list.

Manual tuning

This can help you align your antenna or add stations that are missing after a full scan.

- Press and hold the **MENU/INFO** button to enter the menu, and then select <Manual tune>.
- Turn the **VOLUME/SELECT** knob or press the **TU+/TU-** buttons to select your desired DAB channel, then press the knob to confirm.

NOTE: DAB channels are numbered from 5A to 13F. You will not see any new radio stations or hear anything during manual tuning.

DAB Display (Info.)

To view further information about the station you are listening to press the **MENU/INFO** button, the display will show the following information:

- Signal Strength as slide bar to indicate the signal strength
- Program Type
- Name of the multiplex
- Frequency
- Signal Error
- Bitrate
- Time / Date
- DLS / Dynamic label segment is a scrolling message that the broadcaster may include with their transmissions. The message usually includes information, such as program details, etc.

Prune Invalid

You may remove all unavailable stations from the list.

- Press and hold the **MENU/INFO** button to enter the menu, and then select <Prune>.
- Turn the **VOLUME/SELECT** knob or press the **TU+/TU-** buttons to select <Yes> to confirm the removal, or select <No> to cancel, then press the knob to confirm.

FM OPERATION

NOTE: Extend the telescopic antenna to its full length to get the best reception, or place the unit in an open location.

Auto Scan

- To activate Full Scan, press and hold the **BACK/SCAN** button.
- Once a full scan is complete, all found stations are stored in presets. To explore stations stored in presets, press the **PRESET 2+** button.

NOTE: The search may not stop at a station with a very weak signal.

- Press and hold the **TU+/TU-** button to search for the next/previous station.

Manual Scan

- To search for stations manually, press the **TU+/TU-** buttons repeatedly until your desired frequency is reached.

NOTE: Each press will increase/decrease the frequency by 0,05 MHz. If reception is poor, adjust the position of the aerial or try moving the radio to another location.

FM Display (Info.)

To view further information about the station you are listening to press the **MENU/INFO** button, the display will show the following information:

- Radio Text
- Program Type
- Name of the Station
- Audio Type
- Time / Date

Scan Setting

This is a scan setting to search all stations, or just search stations with a strong signal.

- Press and hold the **MENU/INFO** button to enter the menu, and then select <Scan Setting>.
- Turn the **VOLUME/SELECT** knob or press the **TU+/TU-** buttons to select <Strong Stations Only> or <All Stations>, then press the knob to confirm.

Audio settings

This unit will automatically switch between stereo and mono mode, but you can override this and toggle this function manually. This can be helpful when receiving poor signal reception.

- Press and hold the **MENU/INFO** button to enter the menu, and then select <Audio Setting>.
- Turn the **VOLUME/SELECT** knob or press the **TU+/TU-** buttons to select <Stereo Allowed> or <Forced Mono>, then press the knob to confirm.

BLUETOOTH

- In Bluetooth mode, <Not Connected> will flash on the display. This means the unit is not paired with any Bluetooth device.
- Activate Bluetooth of mobile phone and search for device name **RA-E313B-DAB** then connect it. If the pairing is successful, <Connected> appears on the display.

Playback

- Adjust the volume to your desired level.
- Press the **VOLUME/SELECT** knob to play/pause the playback.
- Press the **TU+/TU-** button to skip to the next/previous track.

NOTE: The operational range between the unit and the device is approximately 8 meters. If the signal strength is weak, your Bluetooth receiver may disconnect, but it will re-enter pairing mode automatically. For better signal reception, remove any obstacles between the unit and the Bluetooth device. Compatibility with all devices and media types is not guaranteed. Some mobile phones with Bluetooth functions may connect and disconnect as you make and end calls. This is not an indication of a problem with the unit.

SYSTEM SETTINGS

- Press and hold the **MENU/INFO** button to enter the menu, and then select <System>.

Sleep timer

To set the sleep timer, select <Sleep>.

- Turn the **VOLUME/SELECT** knob or press the **TU+/TU-** buttons to set the timer <Sleep off / 15 / 30 / 45 / 60 / 90 minutes>, then press the knob to confirm.

NOTE: When the sleep timer is set, <S##> with the remaining time will appear on the display.

Alarm

There are two wake-up alarms. To set the alarms, select <Alarm>.

- Turn the **VOLUME/SELECT** knob or press the **TU+/TU-** buttons to select <Alarm 1 Setup> or <Alarm 2 Setup>, then press the knob to confirm.
- Set all parameters of the alarm. To activate the alarm, set in the last setup step <Alarm on>.

NOTE: When the alarm is activated, the alarm icon will appear on the display.

Time/Date

To set the time/date, select <Time>.

- Set the time, date, 12/24 time format, and date format.
- Time and date can be updated from DAB and/or FM automatically. Select <Auto update> for settings.

Backlight

To set the display backlight, select <Backlight>.

- To set the desired time, after which the display backlight level will decrease, select <Timeout>.
- To adjust the display backlight level, select <On level>.

Equalizer

To set the equalizer, select <EQ>.

Language

To set the language, select <Language>.

Factory Reset

Reset all user settings to default values, so time, date, and preferences will be lost. To perform factory reset, select <Factory Reset>.

Software Version

To view the software version, select <SW version>.

MAINTENANCE / CLEANING

- Ensure the unit is fully unplugged from the mains socket before cleaning.
- Never use any harsh or strong solvents to clean the device since these may damage the surface of the device. Dry, soft cloth is appropriate, however, if the device is extremely dirty, it may be wiped off with a slightly moist cloth. Make sure the device is dried off after cleaning.

When you are necessary to ship the device, store it in its original package. Save the package for this purpose.

SPECIFICATIONS

GENERAL

| | |
|--------------------------|--------------------------------|
| DC input voltage/current | 5V / 1,4 A |
| Battery type | Lithium-ion (3,7 V / 2200 mAh) |
| Battery Charging Time | approx. 2 hours |
| Battery Playback Time | 17 hours (50 % Volume) |
| Weight | Approx. 345 g |
| Dimensions | 160 x 98 x 59 mm |
| Operation temperature | +5°C ~ +35°C |

RADIO SECTION

| | |
|----------------------|---------------------|
| FM Frequency Range | 87,5 – 108 MHz |
| DAB+ Frequency Range | 174,928 – 239,2 MHz |
| Presets | DAB+ 40 / FM 40 |

BLUETOOTH SECTION

| | |
|--------------------|-----------------|
| Bluetooth | V 5.0 |
| BT Frequency Range | 2402 – 2480 MHz |
| EIRP | 4 dBm |

AUDIO SECTION

| | |
|--------------|---------------|
| Power output | 1 x 1,5 Watts |
|--------------|---------------|

WE RESERVE THE RIGHT TO CHANGE TECHNICAL SPECIFICATIONS.

PACKAGE CONTENTS

DAB+/FM Digital Radio, USB-C charging cable, User manual

WARRANTY

The capacity of the product battery decreases over time. Decreasing of battery capacity occurs during normal use of the appliance and is considered usual wear and tear of the appliance.

Decreasing battery capacity is not a defect of the appliance.



WARNING: DO NOT USE THIS PRODUCT NEAR WATER, IN WET AREAS TO AVOID FIRE OR INJURY OF ELECTRIC CURRENT. ALWAYS TURN OFF THE PRODUCT WHEN YOU DON'T USE IT OR BEFORE A REVISION. THERE AREN'T ANY PARTS IN THIS APPLIANCE WHICH ARE REPARABLE BY CONSUMER. ALWAYS APPEAL TO A QUALIFIED AUTHORIZED SERVICE. THE PRODUCT IS UNDER A DANGEROUS TENTION.



TO AVOID DANGER OF SUFFOCATION, KEEP THE PLASTIC BAG AWAY FROM BABIES AND CHILDREN. DO NOT USE THIS BAG IN CRIBS, BEDS, CARRIAGES OR PLAYPENS. THIS BAG IS NOT A TOY.

**Disposal of old Electrical & Electronic Equipment
(Applicable in the European Union and other European countries with separate collection systems)**



This symbol on the product or on its packaging indicates that this product shall not be treated as household waste. Instead it shall be handed over to the applicable collection point for the recycling of electrical and electronic equipment. By ensuring this product is disposed of correctly, you will help prevent potential negative consequences for the environment and human health, which could otherwise be caused by inappropriate waste handling of this product. The recycling of materials will help to conserve natural resources. For more detailed information about recycling of this product, please contact your local Civic Office, your household waste disposal service or the shop where you purchased the product.



The Bluetooth® word mark and logos are registered trademarks owned by Bluetooth SIG, Inc. and any use of such marks by JENMART INDUSTRIAL (HK) CO., LIMITED is under license. Other trademarks and trade names are those of their respective owners.

Hereby, ETA a.s. declares that the radio equipment type RA-E313B-DAB is in compliance with Directive 2014/53/EU. The full text of the EU declaration of conformity is available at the following internet address: www.JVCAUDIO.cz/doc

ÚVOD

- Děkujeme vám za zakoupení tohoto výrobku.
- Přečtěte si prosím tento návod k použití, abyste věděli, jak správně tento přístroj ovládat. Po přečtení návodu k použití jej uložte na bezpečné místo k možnému pozdějšímu využití.

BEZPEČNOSTNÍ POKYNY

Všeobecná ustanovení

- Dodržuje všechna varování - na výrobku a v uživatelské příručce.
- Výrobek by měl být používán v mírném klimatu.
- Nepoužívejte tento výrobek v blízkosti vany, umyvadla, kuchyňského dřezu a prádelní vany, ve vlhkém suterénu, poblíž bazénu ani jinde, kde je přítomna voda nebo vlhkost.
- Výrobek nesmí být vystaven kapající ani tekoucí vodě a nesmí se na něj pokládat předměty naplněné tekutinami, jako například vázy.
- Chraňte výrobek před deštěm a vlhkostí. Neumísťujte jej do vlhkého prostředí, které by mohlo způsobit jeho nefunkčnost.
- Pokud výrobek náhle přemístíte z chladného do teplého prostředí a uvnitř se vytvoří vlhkost, nemusí poté fungovat správně. Tento problém vyřešíte tím, že vyčkáte přibližně hodinu, než se vlhkost odpaří.
- Nevystavujte výrobek přímému slunečnímu svitu ani jej nestavte blízko předmětům, které vyzařují teplo, aby nedošlo k jeho poškození.
- Na výrobek by neměly být pokládány zdroje otevřeného ohně, jako například zapálené svíčky.
- Nebraňte větrání zakrytím větracích otvorů předměty, jako jsou noviny, ubrusy, záclony atd. Zajistěte minimální vzdálenost 0,1 metru kolem výrobku pro dostatečné větrání.
- Používejte pouze přídatná zařízení/příslušenství určená výrobcem.
- Během bouřky, nebo pokud výrobek dlouhodobě nepoužíváte, odpojte jej ze zásuvky, abyste zabránili jeho poškození.
- Abyste předešli riziku požáru nebo úrazu elektrickým proudem, dbejte, aby nedošlo k přetížení elektrických zásuvek, prodlužovacích kabelů nebo integrovaných univerzálních zásuvek.
- Veškeré opravy svěřte kvalifikovanému servisnímu personálu.

Nabíjení

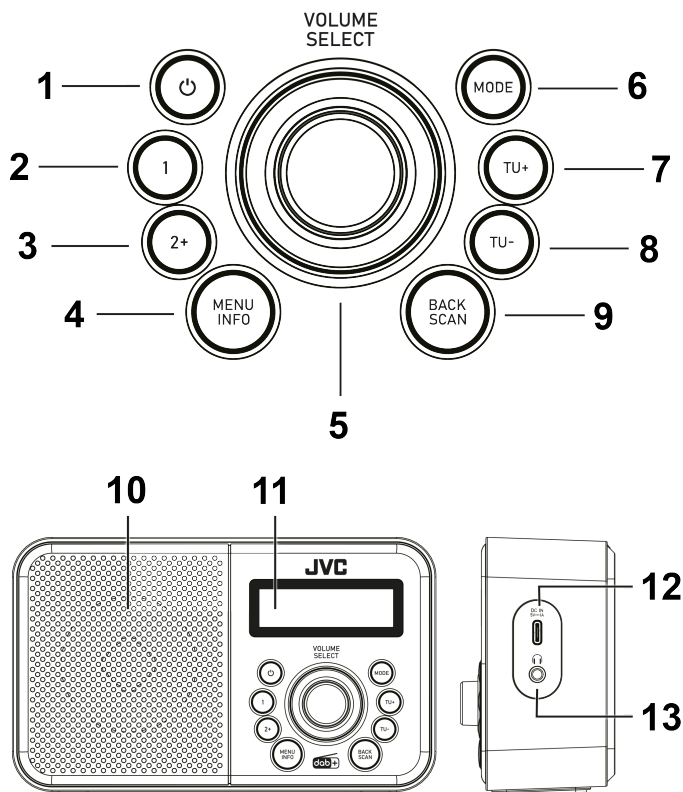
- **NIKDY** nedovolte, aby se výrobek dostal do kontaktu s vodou během nabíjení. Mohlo by dojít k poškození výrobku nebo zdroje napájení.
- **NIKDY** nepoužívejte výrobek s poškozeným kabelem nebo poté, co kabel přestane být funkční nebo byl jakýmkoli způsobem poškozen.
- **NIKDY** nenechávejte výrobek během nabíjení bez dozoru. Pokud se výrobek během nabíjení zahřívá, kouří se z něj nebo vydává zápach, okamžitě nabíjení ukončete.

Rizika související s vysokou hlasitostí



Připojte sluchátka s hlasitostí nastavenou na nízkou úroveň a v případě potřeby ji zvyšte. Delší poslech s vysokou hlasitostí může v případě některých sluchátek způsobit poškození sluchu. Abyste předešli možnému poškození sluchu, neposlouchejte dlouhodobě při vysoké úrovni hlasitosti.

VYOBRAZENÍ VÝROBKU A TLAČÍTKA OVLÁDÁNÍ



1. Tlačítko **⏻** **STANDBY**
2. Tlačítko **PRESET 1**
3. Tlačítko **PRESET 2+**
4. Tlačítko **MENU/INFO**
5. Knoflík **VOLUME/SELECT**
6. Tlačítko **MODE**
7. Tlačítko **TU+**

8. Tlačítko **TU-**
9. Tlačítko **BACK/SCAN**
10. Reproduktor
11. Displej
12. Nabíjecí port **USB-C™**
13. Sluchátkový výstup

ZAČÍNÁME

NABÍJENÍ

Před prvním použitím vestavěnou baterii plně nabijte. Nabíjecí adaptér není součástí balení. Přístroj nabíjete pomocí běžného adaptéru 5 V / 1,4 A nebo prostřednictvím počítače. Ikona baterie na displeji ukazuje stav nabíjení.

POZNÁMKA: Pokud baterie zeslábně, na displeji se zobrazí <Vybitá baterie>.

DŮLEŽITÉ: Každé tři měsíce proveďte úplné nabití. Zabráníte tím zkrácení životnosti baterie.

ZÁKLADNÍ PROVOZ

Zapnutí/vypnutí

- Stisknutím tlačítka **⏻** **STANDBY** přístroj zapnete.
- Stisknutím a podržením tlačítka **⏻** **STANDBY** přepnete přístroj zpět do pohotovostního režimu.

Volba režimu

Opakovanými stisky tlačítka **MODE** můžete přepínat mezi režimy DAB, FM a Bluetooth.

Menu nastavení

- Stisknutím a podržením tlačítka **MENU/INFO** přejdete do menu.
- Otáčením knoflíku **VOLUME/SELECT** nebo stisknutím tlačítek **TU+/TU-** můžete nabídkami procházet.
- Stisknutím knoflíku **VOLUME/SELECT** potvrdíte nastavení.
- Stisknutím tlačítka **BACK/SCAN** se vrátíte do předchozí nabídky nebo menu opustíte.

Volba jazyka

Chcete-li změnit jazyk, stiskněte a podržte tlačítko **MENU/INFO** a poté v menu vyberte <Systém>/<Jazyk>.

POZNÁMKA: Výchozím jazykem je čeština. K dispozici je slovenština, polština, angličtina a němčina.

Hlasitost

Hlasitost upravíte otáčením knoflíku **VOLUME/SELECT**.

PŘEDVOLBY

Do paměti můžete uložit až 40 svých oblíbených stanic DAB nebo FM. Umožníte tak rychlý a snadný přístup ke svým oblíbeným stanicím. Chcete-li uložit předvolbu, musíte nejprve naladit stanici, kterou chcete uložit.

Uložení do předvolby 1

- Stiskněte a podržte tlačítko **PRESET 1**, dokud se na displej nezobrazí <Předvolba 1 uložena>.

Uložení do předvoleb 1 ~ 40

- Stiskněte a podržte tlačítko **PRESET 2+**.
- Otáčením knoflíku **VOLUME/SELECT** nebo stisknutím tlačítek **TU+/TU-** zvolte požadované číslo předvolby stanice a stisknutím knoflíku volbu potvrdíte.
- Stanice se uloží během několika sekund a na displeji se zobrazí <Předvolba # uložena>.

Vyvolání předvolby 1

Stiskněte tlačítko **PRESET 1**.

Vyvolání předvoleb 1 ~ 40

- Stiskněte tlačítko **PRESET 2+**.
- Otáčením knoflíku **VOLUME/SELECT** nebo stisknutím tlačítek **TU+/TU-** zvolte požadované číslo předvolby stanice a stisknutím knoflíku volbu potvrdíte.

POZNÁMKA: Pokud zvolíte přednastavené číslo stanice, které nebylo přiřazeno žádné stanici, na displeji se zobrazí <# Prázdná>.

REŽIM DAB

POZNÁMKA: Pro dosažení nejlepšího příjmu vytáhněte teleskopickou anténu na celou její délku nebo umístěte přístroj na otevřené místo.

Pokud je přístroj připojen k elektrické síti a poté poprvé zapnut, automaticky se přepne do režimu DAB a provede funkci automatického vyhledávání. Během vyhledávání se na displeji zobrazí <Ladění...> spolu se stavovým pruhem, který ukazuje průběh vyhledávání a počet stanic, které byly dosud nalezeny. Po dokončení vyhledávání přístroj vybere první nalezenou stanici v alfanumerickém pořadí.

Chcete-li procházet a poslouchat nalezené stanice, vyberte stanici pomocí tlačítek **TU+/TU-** a poté stiskněte knoflík **VOLUME/SELECT** pro potvrzení.

Automatické vyhledávání

Automatické vyhledávání prohledá kanály v celém pásmu III pro DAB+.

- Chcete-li aktivovat úplné vyhledávání, stiskněte tlačítko **BACK/SCAN** nebo stiskněte a podržte tlačítko **MENU/INFO** a vyberte <Autom. ladění>.
- Po dokončení úplného vyhledávání se rádio vrátí k přehrávání dříve zvolené stanice nebo první stanice v seznamu stanic.

Manuální ladění

Může vám pomoci nasměrovat anténu nebo přidat stanice, které po automatickém vyhledávání chybí.

- Stisknutím a podržením tlačítka **MENU/INFO** přejděte do menu a poté vyberte <Ruční ladění>.
- Otáčením knoflíku **VOLUME/SELECT** nebo stisknutím tlačítek **TU+/TU-** vyberte požadovaný kanál DAB a stisknutím knoflíku volbu potvrďte.

POZNÁMKA: Kanály DAB jsou číslovány od 5A do 13F. Během manuálního ladění rozhlasové stanice nevidíte ani nic neuslyšíte.

Zobrazení DAB informací

Pro zobrazení dalších informací o stanici, kterou posloucháte, stiskněte opakovaně tlačítko **MENU/INFO**. Na displeji se zobrazí následující informace:

- Síla signálu jako stavový pruh ukazující jeho intenzitu
- Typ programu
- Název multiplexu
- Frekvence
- Chyba signálu
- Bitrate
- Čas / Datum
- DLS je posouvající se zpráva, kterou může provozovatel vysílání zahrnout do svého vysílání. Zpráva obvykle obsahuje informace, například podrobnosti o programu atd.

Odstranění neplatných stanic

Ze seznamu můžete odstranit všechny nedostupné stanice.

- Stisknutím a podržením tlačítka **MENU/INFO** přejděte do menu a poté zvolte <Smazat neplatné>.
- Otočením knoflíku **VOLUME/SELECT** nebo stisknutím tlačítek **TU+/TU-** vyberte <Ano> čímž odstranění potvrdíte nebo jej zrušte výběrem <Ne>, stisknutím knoflíku volbu potvrďte.

REŽIM FM

POZNÁMKA: Pro dosažení nejlepšího příjmu vytáhněte teleskopickou anténu na celou její délku nebo umístěte přístroj na otevřené místo.

Automatické vyhledávání

- Chcete-li aktivovat automatické vyhledávání, stiskněte tlačítko **BACK/SCAN**.
- Po dokončení automatického vyhledávání se všechny nalezené stanice uloží do předvoleb. Chcete-li tyto stanice procházet, stiskněte tlačítko **PRESET 2+**.

POZNÁMKA: Vyhledávání se nemusí zastavit na stanici s velmi slabým signálem.

- Stisknutím a podržením tlačítka **TU+/TU-** vyhledáte další/předchozí stanici.

Manuální vyhledávání

- Chcete-li stanici vyhledat manuálně, stiskněte opakovaně tlačítko **TU+/TU-**, dokud nedosáhnete požadované frekvence.

POZNÁMKA: Každé stisknutí zvýší/sníží frekvenci o 0,05 MHz. Pokud je příjem slabý, upravte polohu antény nebo zkuste rádio přemístit na jiné místo.

Zobrazení FM informací

Pro zobrazení dalších informací o stanici, kterou posloucháte, stiskněte opakovaně tlačítko **MENU/INFO**. Na displeji se zobrazí následující informace:

- Radiotext
- Typ programu
- Název stanice
- Typ zvuku
- Čas / Datum

Nastavení vyhledávání

Nastavení pro vyhledávání všech stanic nebo pouze stanic se silným signálem.

- Stisknutím a podržením tlačítka **MENU/INFO** přejdete do menu a poté vyberte <Nast. ladění>.
- Otočením knoflíku **VOLUME/SELECT** nebo stisknutím tlačítek **TU+/TU-** vyberte <Silné stanice> nebo <Všechny stanice> a poté stisknutím knoflíku volbu potvrďte.

Nastavení zvuku

Tento přístroj automaticky přepíná mezi stereofonním a monofonním režimem, ale můžete to udělat sami a přepnout tuto funkci manuálně. Tento způsob lze použít při špatném příjmu signálu.

- Stisknutím a podržením tlačítka **MENU/INFO** přejděte do menu a poté vyberte <Nast. zvuku>.
- Otočením knoflíku **VOLUME/SELECT** nebo stisknutím tlačítek **TU+/TU-** vyberte <Stereo> nebo <Mono> a poté stisknutím knoflíku volbu potvrďte.

BLUETOOTH

- V režimu Bluetooth bude na displeji blikat <Odpojeno>. To znamená, že přístroj není spárován s žádným Bluetooth zařízením.
- Aktivujte funkci Bluetooth na mobilním telefonu, vyhledejte název zařízení **RA-E313B-DAB** a poté proveďte připojení. Je-li spárování úspěšné, na displeji se zobrazí <Připojeno>.

Přehrávání

- Nastavte hlasitost na požadovanou úroveň.
- Stisknutím knoflíku **VOLUME/SELECT** spustíte/pozastavíte přehrávání.
- Stisknutím tlačítka **TU+/TU-** přeskočíte na další/předchozí skladbu.

POZNÁMKA: Provozní dosah mezi přístrojem a zařízením je přibližně 8 metrů. Pokud je síla signálu slabá, váš přijímač s funkcí Bluetooth se může odpojit, ale automaticky se znovu přepne do režimu párování.

Pro lepší příjem signálu odstraňte všechny překážky mezi přístrojem a zařízením s funkcí Bluetooth. Nelze zaručit kompatibilitu se všemi zařízeními a typy médií.

Některé mobilní telefony s funkcí Bluetooth se mohou připojit a odpojit, pokud přijmete nebo ukončíte hovor. Nejde o chybu přístroje.

NASTAVENÍ SYSTÉMU

- Stisknutím a podržením tlačítka **MENU/INFO** přejděte do menu a poté vyberte <Systém>.

Odložené vypnutí

Chcete-li nastavit časovač odloženého vypnutí, vyberte <Aut. vypnutí>.

- Otáčením knoflíku **VOLUME/SELECT** nebo stisknutím tlačítek **TU+/TU-** nastavte časovač na <Nevypínat / 15 / 30 / 45 / 60 /90 minut>, stisknutím knoflíku volbu potvrďte.

POZNÁMKA: Pokud je časovač nastaven, na displeji se zobrazí <S##> se zbývajícím časem.

Budík

K dispozici jsou dva budíky. Pro jejich nastavení vyberte <Budík>.

- Otáčením knoflíku **VOLUME/SELECT** nebo stisknutím tlačítek **TU+/TU-** vyberte <Nast. budíku 1> nebo <Nast. budíku 2>, stisknutím knoflíku volbu potvrďte.
- Nastavte všechny parametry budíku. Chcete-li budík aktivovat, v posledním kroku nastavení zvolte <Zapnout budík>.

POZNÁMKA: Když je budík aktivován, na displeji se zobrazí ikona budíku.

Čas/Datum

Chcete-li nastavit čas/datum, vyberte <Čas a datum>.

- Nastavte čas, datum, formát času 12/24 hodin a formát pro datum.
- Čas a datum lze automaticky aktualizovat z příjmu DAB a (nebo) FM. Pro nastavení automatické aktualizace zvolte <Aktualiz. času>.

Podsvícení

Chcete-li nastavit podsvícení displeje, vyberte <Podsvícení>.

- Chcete-li nastavit dobu, po které se má intenzita podsvícení displeje snížit, vyberte <Snížit jas po>.
- Chcete-li nastavit intenzitu podsvícení displeje, vyberte <Úroveň jasu>.

Ekvalizér

Chcete-li nastavit ekvalizér, vyberte <Ekvalizér>.

Jazyk

Chcete-li nastavit jazyk, vyberte <Jazyk>.

Obnovení továrního nastavení

Obnovíte všechna uživatelská nastavení na výchozí hodnoty, takže čas, datum a předvolby se vymažou. Chcete-li provést obnovení na nastavení z výroby, vyberte <Tovární nastav.>.

Verze softwaru

Chcete-li zobrazit verzi softwaru, vyberte <Verze softwaru>.

ÚDRŽBA / ČIŠTĚNÍ

- Před čištěním se ujistěte, že je přístroj zcela odpojen z elektrické zásuvky.
- K čištění zařízení nikdy nepoužívejte brusné čisticí prostředky nebo silná rozpouštědla, protože by mohlo dojít k poškození povrchu přístroje. Vhodný je suchý měkký hadřík. Pokud je však přístroj velmi znečištěn, lze použít mírně navlhčený hadřík. Po vyčištění se ujistěte, že je přístroj suchý.

Pokud je nutné zařízení někam odeslat, uložte jej do původního obalu. Pro tento účel si obal uschovejte.

TECHNICKÉ SPECIFIKACE

OBECNÉ

| | |
|-----------------------------------|---------------------------|
| Vstupní stejnosměrné napětí/proud | 5V / 1,4 A |
| Typ baterie | Li-ion (3,7 V / 2200 mAh) |
| Doba nabíjení baterie | přibližně 2 hodiny |
| Výdrž baterie | 17 hodin (hlasitost 50 %) |
| Hmotnost | přibližně 345 g |
| Rozměry | 160 x 98 x 59 mm |
| Provozní teplota | +5 °C až +35 °C |

SEKCE RÁDIA

| | |
|------------------------|---------------------|
| Frekvenční rozsah FM | 87,5 – 108 MHz |
| Frekvenční rozsah DAB+ | 174,928 – 239,2 MHz |
| Předvolby | DAB+ 40 / FM 40 |

SEKCE BLUETOOTH

| | |
|--------------------------------------|-----------------|
| Bluetooth | V 5.0 |
| Frekvenční rozsah Bluetooth | 2402 – 2480 MHz |
| EIRP (ekvivalentní vyzařovací výkon) | 4 dBm |

SEKCE AUDIO

| | |
|----------------|-----------|
| Výstupní výkon | 1 x 1,5 W |
|----------------|-----------|

ZMĚNA TECHNICKÉ SPECIFIKACE VÝROBKU VYHRAZENA VÝROBCEM.

OBSAH BALENÍ

Digitální rádio DAB+/FM, nabíjecí kabel USB-C, návod k použití

ZÁRUKA

Kapacita baterie výrobku se postupně snižuje. Ke snížení kapacity baterie dochází při obvyklém užívání spotřebiče a považuje se za opotřebením spotřebiče. Snížení kapacity baterie není vadou spotřebiče.

Informace o výrobku a servisní síti najdete na internetové adrese www.JVCAUDIO.cz



VAROVÁNÍ: NEVYSTAVUJTE SPOTŘEBIČ DEŠTI NEBO VLHKOSTI ABYSTE PŘEDEŠLI VZNIKU POŽÁRU NEBO ÚRAZU ELEKTRICKÝM PROUDEM. VŽDY SPOTŘEBIČ VYPNĚTE ZE ZÁSUVKY, KDYŽ JEJ NEPOUŽÍVÁTE NEBO PŘED OPRAVOU. V PŘÍSTROI NEJSOU ŽÁDNÉ ČÁSTI OPRAVITELNÉ SPOTŘEBITELEM. VŽDY SE OBRACEJTE NA KVALIFIKOVANÝ AUTORIZOVANÝ SERVIS. PŘÍSTROJ JE POD NEBEZPEČNÝM NAPĚTÍM.



NEBEZPEČÍ UDUŠENÍ. PE SÁČEK ODKLÁDEJTE MIMO DOSAH DĚTÍ. SÁČEK NENÍ NA HRANÍ. NEPOUŽÍVEJTE TENTO SÁČEK V KOLÉBKÁCH, POSTÝLKÁCH, KOČÁRCÍCH NEBO DĚTSKÝCH OHRÁDKÁCH.

Likvidace starých elektrických a elektronických zařízení

(Vztahuje se na Evropskou unii a evropské země se systémy odděleného sběru)



Tento symbol umístěný na výrobku nebo jeho balení upozorňuje, že by s výrobkem po ukončení jeho životnosti nemělo být nakládáno jako s běžným odpadem z domácnosti. Je nutné ho odvézt do sběrného místa pro recyklaci elektrického a elektronického zařízení. Zajištěním správné likvidace tohoto výrobku pomůžete zabránit případným negativním dopadům na životní prostředí a lidské zdraví, které by jinak byly způsobeny nevhodnou likvidací výrobku. Recyklováním materiálů, z nichž je vyroben, pomůžete ochránit přírodní zdroje. Podrobnější informace o recyklaci tohoto výrobku zjistíte u příslušného místního obecního úřadu, podniku pro likvidaci domovních odpadů nebo v obchodě, kde jste výrobek zakoupili.

Bluetooth®

Slovní značka a loga Bluetooth® jsou registrované ochranné známky vlastněné společností Bluetooth SIG, Inc. a jakékoli použití těchto značek společností JENMART INDUSTRIAL (HK) CO., LIMITED je licencováno. Ostatní ochranné známky a obchodní názvy jsou majetkem příslušných vlastníků.

Tímto ETA a.s. prohlašuje, že typ rádiového zařízení RA-E313B-DAB je v souladu se směrnicí 2014/53/EU. Úplné znění EU prohlášení o shodě je k dispozici na této internetové adrese: www.JVCAUDIO.cz/doc

WPROWADZENIE

- Dziękujemy za zakup naszego produktu.
- Prosimy o przeczytanie niniejszej instrukcji obsługi, aby dowiedzieć się, jak prawidłowo obsługiwać sprzęt. Po przeczytaniu instrukcji obsługi odłóż ją w bezpieczne miejsce, aby móc z niej skorzystać w przyszłości.

INSTRUKCJE BEZPIECZEŃSTWA

Informacje ogólne

- Należy przestrzegać wszystkich ostrzeżeń umieszczonych na produkcie i w instrukcji obsługi.
- Urządzenie powinno być używane w umiarkowanym klimacie.
- Nie używaj tego urządzenia w pobliżu wanny, umywalki, zlewu kuchennego i pralki, w wilgotnej piwnicy, w pobliżu basenu lub w innym miejscu, w którym występuje woda lub wilgoć.
- Urządzenie nie może być narażone na kapanie lub rozpryskiwanie, a na urządzeniu nie mogą być umieszczane żadne przedmioty wypełnione płynami, takie jak wazon.
- Urządzenie należy przechowywać z dala od deszczu i wilgoci. Nie należy umieszczać urządzenia w wilgotnych i wilgotnych warunkach, ponieważ może to doprowadzić do jego nieprawidłowego działania.
- Jeśli urządzenie zostanie nagle przeniesione z zimnego środowiska do ciepłego, może nie działać prawidłowo, jeśli w jego wnętrzu powstanie wilgoć. Aby rozwiązać ten problem, należy odczekać około godziny, aż wilgoć odparuje.
- Aby uniknąć uszkodzenia urządzenia, nie należy wystawiać go na bezpośrednie działanie promieni słonecznych ani znajdujących się w pobliżu obiektów emitujących ciepło.
- Na urządzeniu nie należy umieszczać źródeł otwartego ognia, takich jak zapalone świece.
- Wentylacja nie powinna być utrudniana przez zakrywanie otworów wentylacyjnych przedmiotami, takimi jak gazety, obrusy, zasłony itp. Należy zapewnić minimalną odległość 0,1 metra wokół urządzenia w celu zapewnienia wystarczającej wentylacji.
- Należy używać wyłącznie przystawek/akcesoriów określonych przez producenta.
- Aby zapobiec uszkodzeniu urządzenia, należy odłączać je od zasilania podczas wyładowań atmosferycznych lub gdy nie jest ono używane przez dłuższy czas.
- Aby uniknąć ryzyka pożaru lub porażenia prądem, należy unikać przeciążania gniazdek ściennych, przedłużaczy lub zintegrowanych gniazdek elektrycznych.
- Serwisowanie należy zlecać wykwalifikowanemu personelowi.

Ładowanie

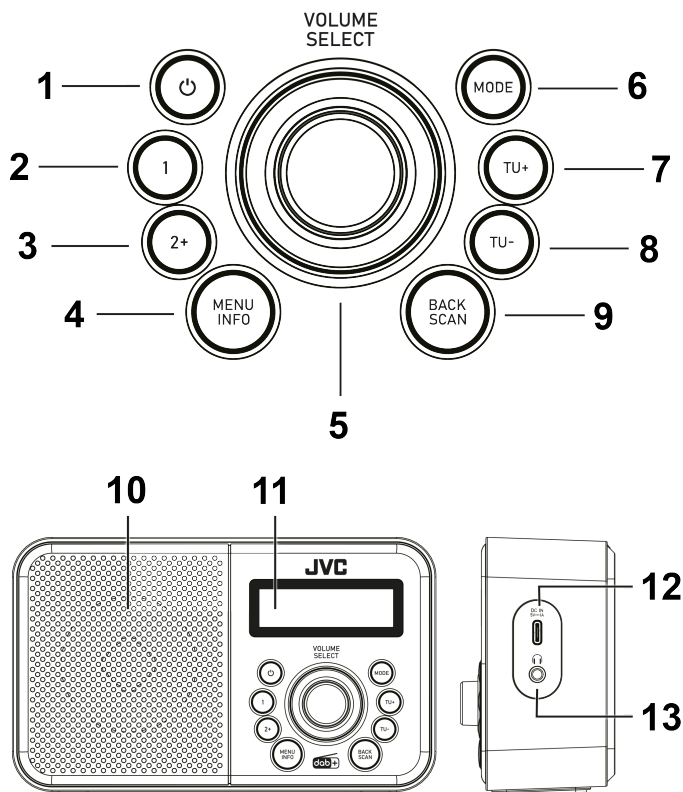
- **NIGDY** nie należy wystawiać urządzenia na działanie wody podczas ładowania, ponieważ może to spowodować uszkodzenie urządzenia lub źródła zasilania.
- **NIGDY** nie używaj tego urządzenia z uszkodzonym kablem lub po jego nieprawidłowym działaniu lub uszkodzeniu w jakikolwiek sposób.
- **NIGDY** nie pozostawiaj urządzenia bez nadzoru podczas ładowania. Jeśli urządzenie nagrzewa się, dymi lub wydziela nieprzyjemny zapach podczas ładowania, należy natychmiast przerwać ładowanie.

Zagrożenie związane z wysokim napięciem



Podłącz słuchawki z ustawioną niską głośnością i zwiększ ją w razie potrzeby. Długotrwałe słuchanie przez niektóre słuchawki przy wysokich ustawieniach głośności może spowodować uszkodzenie słuchu. Aby zapobiec możliwemu uszkodzeniu słuchu, nie słuchaj przy wysokim poziomie głośności przez długi czas.

PRZEGLĄD PRODUKTU I PRZYCISKI STERUJĄCE



1. Przycisk **⏻** **STANDBY** (czuwanie)
2. Przycisk **PRESET 1**
3. Przycisk **PRESET 2+**
4. Przycisk **MENU/INFO**
5. Pokrętko **VOLUME/SELECT**
6. Przycisk **MODE** (tryb)
7. Przycisk **TU+**
8. Przycisk **TU-**
9. Przycisk **BACK/SCAN**
10. Głośnik
11. Ekran
12. Gniazdo ładowania **USB-C™**
13. Wyjście słuchawkowe

PIERWSZE KROKI

ŁADOWANIE

Przed pierwszym użyciem należy w pełni naładować wbudowany akumulator. Ładowarka nie jest dołączona do zestawu, głośnik należy ładować poprzez standardową ładowarkę 5 V / 1,4 A lub poprzez komputer. Ikona baterii na wyświetlaczu wskazuje stan ładowania.

UWAGA: Na wyświetlaczu pojawi się <Bateria słaba>, gdy bateria się rozładuje.

WAŻNE: Aby uniknąć skrócenia żywotności baterii, należy dokonywać pełnego naładowania co trzy miesiące.

PODSTAWOWA OBSŁUGA

Włączanie/wyłączanie zasilania

- Naciśnij przycisk **⏻ STANDBY**, aby włączyć urządzenie.
- Naciśnij i przytrzymaj przycisk **⏻ STANDBY**, aby przełączyć urządzenie z powrotem w tryb czuwania.

Wybór trybu

Naciśnij przycisk **MODE**, aby przełączać między trybami DAB, FM i Bluetooth.

Menu ustawień

- Naciśnij i przytrzymaj przycisk **MENU/INFO**, aby wejść do menu.
- Obróć pokrętkę **VOLUME/SELECT** lub naciśnij przyciski **TU+/TU-**, aby poruszać się po menu.
- Naciśnij pokrętkę **VOLUME/SELECT**, aby potwierdzić ustawienie.
- Naciśnij przycisk **BACK/SCAN**, aby powrócić do poprzedniego menu lub wyjść z menu.

Wybór języka

Aby zmienić język, naciśnij i przytrzymaj przycisk **MENU/INFO**, a następnie wybierz w menu pozycję <System>/<Język>.

UWAGA: Domyślnym językiem jest język czeski. Dostępne języki to słowacki, polski, angielski i niemiecki.

Głośność

Obróć pokrętkę **VOLUME/SELECT**, aby wyregulować głośność.

STACJE ZAPISANE W PAMIĘCI

Do pamięci można zapisać do 40 ulubionych stacji DAB lub FM. Umożliwi to szybki i łatwy dostęp do ulubionych stacji. Aby zapisać stację w pamięci, musisz najpierw słuchać stacji, którą chcesz zapisać.

Zapisywanie w ulubionych 1

- Naciśnij i przytrzymaj przycisk **PRESET 1**, aż na wyświetlaczu pojawi się komunikat <Stacja 1 zapisana>.

Zapisywanie w ulubionych 1 ~ 40

- Naciśnij i przytrzymaj przycisk **PRESET 2+**.
- Obróć pokrętkę **VOLUME/SELECT** lub naciśnij przyciski **TU+/TU-**, aby wybrać żądany numer zaprogramowanej stacji, a następnie naciśnij pokrętkę, aby potwierdzić.
- Stacja zostanie zapisana w ciągu kilku sekund, a na wyświetlaczu pojawi się komunikat <Stacja # zapisana>.

Przywoływanie zaprogramowanych stacji 1

Naciśnij przycisk **PRESET 1**.

Wywoływanie zaprogramowanych stacji 1 ~ 40

- Naciśnij przycisk **PRESET 2+**.
- Obróć pokrętkę **VOLUME/SELECT** lub naciśnij przyciski **TU+/TU-**, aby wybrać żądany numer zaprogramowanej stacji, a następnie naciśnij pokrętkę, aby potwierdzić.

UWAGA: W przypadku wybrania numeru zaprogramowanej stacji, do którego nie została przypisana żadna stacja, na wyświetlaczu pojawi się komunikat <# pusty>.

OBSŁUGA TRYBU DAB

UWAGA: Rozciągnij ANTENĘ TELESKOPOWĄ FM do pełnej długości i delikatnie przesuwaj urządzenie w przód i w tył, aby uzyskać najlepszy odbiór lub umieść urządzenie w otwartej przestrzeni.

Jeżeli urządzenie zostanie podłączone do zasilania sieciowego, a następnie włączone po raz pierwszy, urządzenie automatycznie wejdzie w tryb DAB i wykona pełne skanowanie. Podczas skanowania na wyświetlaczu pojawi się komunikat <Skanowanie...> wraz z suwakiem wskazującym postęp skanowania i liczbę znalezionych do tej pory stacji. Po zakończeniu skanowania urządzenie wybierze pierwszą znaną stację alfanumeryczną. Aby przeglądać i słuchać znalezionych stacji, naciśnij przyciski **TU+/TU-**, aby wybrać, a następnie naciśnij pokrętkę **VOLUME/SELECT**, aby potwierdzić.

Pełne skanowanie

Pełne skanowanie wyszuka wszystkie kanały pasma III DAB+.

- Aby włączyć pełne skanowanie, naciśnij przycisk **BACK/SCAN** lub naciśnij i przytrzymaj przycisk **MENU/INFO**, a następnie wybierz opcję <Pełne skanowanie>.
- Po zakończeniu pełnego skanowania radio powróci do odtwarzania poprzednio wybranej stacji lub pierwszej stacji na liście stacji.

Strojenie ręczne

Może być pomocne po ustawieniu anteny i służy do dodania stacji, których brakuje po pełnym skanowaniu.

- Naciśnij i przytrzymaj przycisk **MENU/INFO**, aby wejść do menu, a następnie wybierz opcję <Ręczne dostrajanie>.
- Obróć pokrętkę **VOLUME/SELECT** lub naciśnij przyciski **TU+/TU-**, aby wybrać żądany kanał DAB, a następnie naciśnij pokrętkę, aby potwierdzić.

UWAGA: Kanały DAB są ponumerowane od 5A do 13F. Podczas strojenia ręcznego nie będą wyświetlane żadne nowe stacje radiowe ani nic nie będzie słychać.

Wyświetlacz DAB (Info.)

Aby wyświetlić dodatkowe informacje o słuchanej stacji, naciśnij przycisk **MENU/INFO**, a na wyświetlaczu pojawią się następujące informacje:

- Siła sygnału jako suwak wskazujący siłę sygnału
- Typ programu
- Nazwa multipleksu
- Częstotliwość
- Błąd sygnału
- Przepustowość
- Czas / Data
- DLS / Dynamic label segment to przewijana wiadomość, którą nadawca może dołączyć do swoich transmisji. Wiadomość zwykle zawiera informacje, takie jak szczegóły programu itp.

Usuń nieprawidłowe

Możesz usunąć z listy wszystkie niedostępne stacje.

- Naciśnij i przytrzymaj przycisk **MENU/INFO**, aby wejść do menu, a następnie wybierz opcję <Kasowanie nieaktywnych>.
- Obróć pokrętkę **VOLUME/SELECT** lub naciśnij przyciski **TU+/TU-**, aby wybrać opcję <Tak> w celu potwierdzenia usunięcia lub wybierz opcję <Nie>, aby anulować, a następnie naciśnij pokrętkę, aby potwierdzić.

OBSŁUGA FM

UWAGA: Wsuń antenę teleskopową na pełną długość, aby uzyskać najlepszy odbiór lub umieść urządzenie w otwartej przestrzeni.

Automatyczne skanowanie

- Aby włączyć pełne skanowanie, naciśnij i przytrzymaj przycisk **BACK/SCAN**.
- Po zakończeniu pełnego skanowania wszystkie znalezione stacje są zapisywane w ulubionych. Aby wyświetlić stacje zapisane w ustawieniach wstępnych, naciśnij przycisk **PRESET 2+**.

UWAGA: Wyszukiwanie może nie zatrzymać się na stacji o bardzo słabym sygnale.

- Naciśnij i przytrzymaj przycisk **TU+/TU-**, aby wyszukać następną/poprzednią stację.

Skanowanie ręczne

- Aby ręcznie wyszukać stacje, naciskaj przyciski **TU+/TU-** tyle razy, aż zostanie osiągnięta żądana częstotliwość.

UWAGA: Każde naciśnięcie zwiększa/zmniejsza częstotliwość o 0,05 MHz. Jeśli odbiór jest słaby, dostosuj położenie anteny lub spróbuj przenieść radio w inne miejsce.

Wyświetlacz FM (Info.)

Aby wyświetlić dodatkowe informacje o słuchanej stacji, naciśnij przycisk **MENU/INFO**, a na wyświetlaczu pojawią się następujące informacje:

- Tekst radiowy
- Typ programu
- Nazwa stacji
- Typ dźwięku
- Czas / Data

Ustawienia skanowania

Jest to ustawienie skanowania umożliwiające przeszukiwanie wszystkich stacji lub tylko stacji o silnym sygnale.

- Naciśnij i przytrzymaj przycisk **MENU/INFO**, aby wejść do menu, a następnie wybierz <Ustaw skanowania>.
- Obróć pokrętko **VOLUME/SELECT** lub naciśnij przyciski **TU+/TU-**, aby wybrać opcję <Silne sygnały> lub <Wszystkie stacje>, a następnie naciśnij pokrętko, aby potwierdzić.

Ustawienia dźwięku

Urządzenie automatycznie przełącza się między trybem stereo i mono, ale można to zmienić i przełączać tę funkcję ręcznie. Może to być pomocne w przypadku słabego odbioru sygnału.

- Naciśnij i przytrzymaj przycisk **MENU/INFO**, aby wejść do menu, a następnie wybierz <Ustaw audio>.
- Obróć pokrętko **VOLUME/SELECT** lub naciśnij przyciski **TU+/TU-**, aby wybrać opcję <Tryb stereo> lub <Tylko mono>, a następnie naciśnij pokrętko, aby potwierdzić.

BLUETOOTH

- W trybie Bluetooth, <Nie połączony> będzie migać na wyświetlaczu. Oznacza to, że urządzenie nie jest sparowane z żadnym urządzeniem Bluetooth.
- Aktywuj Bluetooth w telefonie komórkowym i wyszukaj nazwę urządzenia **RA-E313B-DAB** a następnie podłącz je. Jeśli parowanie się powiedzie, komunikat <Połączony> pojawi się na wyświetlaczu.

Odtwarzanie

- Wyreguluj głośność dożądanego poziomu.
- Naciśnij pokrętkę **VOLUME/SELECT**, aby odtworzyć/wstrzymać odtwarzanie.
- Naciśnij przycisk **TU+/TU-**, aby przejść do następnego/popzedniego utworu.

UWAGA: Zasięg operacyjiny pomiędzy jednostką a urządzeniem wynosi około 8 metrów. Jeżeli siła sygnału jest słaba, odbiornik Bluetooth może się rozłączyć, ale ponownie wejdzie w tryb parowania automatycznie.

Aby uzyskać lepszy odbiór sygnału, usuń wszelkie przeszkody pomiędzy urządzeniem a urządzeniem Bluetooth.

Kompatybilność ze wszystkimi urządzeniami i typami mediów nie jest gwarantowana.

Niektóre telefony komórkowe z funkcją Bluetooth mogą się łączyć i rozłączać podczas wykonywania i kończenia połączeń. Nie oznacza to problemu z urządzeniem.

USTAWIENIA SYSTEMU

- Naciśnij i przytrzymaj przycisk **MENU/INFO**, aby wejść do menu, a następnie wybierz <System>.

Wyłącznik czasowy

Aby ustawić wyłącznik czasowy, wybierz opcję <Czuwanie>.

- Obróć pokrętkę **VOLUME/SELECT** lub naciśnij przyciski **TU+/TU-**, aby ustawić timer <Wył. / 15 / 30 / 45 / 60 /90 minut>, a następnie naciśnij pokrętkę, aby potwierdzić.

UWAGA: Po ustawieniu wyłącznika czasowego, <S##> z pozostałym czasem pojawi się na wyświetlaczu.

Alarm

Dostępne są dwa alarmy budzenia. Aby ustawić alarmy, wybierz <Alarm>.

- Obróć pokrętkę **VOLUME/SELECT** lub naciśnij przyciski **TU+/TU-**, aby wybrać opcję <Alarm 1 ustaw.> lub <Alarm 2 ustaw.>, a następnie naciśnij pokrętkę, aby potwierdzić.
- Ustawienie wszystkich parametrów alarmu. Aby aktywować alarm, w ostatnim kroku konfiguracji należy ustawić <Alarm Wł.>.

UWAGA: Po włączeniu alarmu na wyświetlaczu pojawi się ikona alarmu.

Czas/Data

Aby ustawić godzinę/datę, wybierz <Godzina>.

- Ustawianie godziny, daty, formatu czasu 12/24 i formatu daty.
- Godzina i data mogą być automatycznie aktualizowane z DAB i/lub FM. Wybierz <Autoaktualizacja> dla ustawień.

Podświetlenie

Aby ustawić podświetlenie wyświetlacza, wybierz <Podświetlenie>.

- Aby ustawić żądany czas, po którym poziom podświetlenia wyświetlacza zostanie zmniejszony, wybierz opcję <Czas oczekiwania>.
- Aby dostosować poziom podświetlenia wyświetlacza, wybierz <Na poziomie>.

Korektor graficzny

Aby ustawić korektor, wybierz <EQ>.

Język

Aby ustawić język, wybierz <Język>.

Reset fabryczny

Reset wszystkich ustawień użytkownika do wartości domyślnych, więc czas, data i preferencje zostaną utracone. Aby przywrócić ustawienia fabryczne, wybierz <Ustaw fabryczne>.

Wersja oprogramowania

Aby wyświetlić wersję oprogramowania, wybierz <Wersja oprogram.>.

KONSERWACJA / CZYSZCZENIE

- Przed przystąpieniem do czyszczenia należy upewnić się, że urządzenie jest całkowicie odłączone od gniazdka sieciowego.
- Do czyszczenia urządzenia nie wolno używać żadnych ostrych lub silnych rozpuszczalników, ponieważ mogą one uszkodzić powierzchnię urządzenia. Odpowiednia jest sucha, miękka szmatka, jednak jeżeli urządzenie jest bardzo brudne, można je przetrzeć lekko wilgotną szmatką. Upewnij się, że urządzenie zostało wysuszone po czyszczeniu.

W przypadku konieczności wysłania urządzenia, należy je wysłać w oryginalnym opakowaniu. Zachowaj opakowanie w tym celu.

SPECYFIKACJE

INFORMACJE OGÓLNE

| | |
|--|----------------------------------|
| Napięcie/prąd wejściowy | 5 V / 1,4 A |
| Typ baterii | Litowo-jonowa (3,7 V / 2200 mAh) |
| Czas ładowania akumulatora | ok. 2 godzin |
| Czas odtwarzania przy użyciu akumulatora | 17 godzin (50 % głośności) |
| Masa | Okolo 345 g |
| Wymiary | 160 × 98 × 59 mm |
| Temperatura pracy | +5 °C ~ +35 °C |

PARAMETRY RADIA

| | |
|---------------------------------------|---------------------|
| Zakres częstotliwości FM | 87,5 – 108 MHz |
| Zakres częstotliwości DAB+ | 174 928 – 239.2 MHz |
| Zaprogramowane stacje DAB+ 40 / FM 40 | |

PARAMETRY BLUETOOTH

| | |
|--------------------------|-----------------|
| Bluetooth | V 5.0 |
| Zakres częstotliwości BT | 2402 – 2480 MHz |
| EIRP | 4 dBm |

PARAMETRY AUDIO

| | |
|---------------|-------------|
| Moc wyjściowa | 1× 1,5 Watt |
|---------------|-------------|

ZASTRZEGAMY SOBIE PRAWO DO ZMIANY SPECYFIKACJI TECHNICZNYCH.

ZAWARTOŚĆ OPAKOWANIA

Radio cyfrowe DAB+/FM, kabel USB-C do ładowania, instrukcja obsługi

GWARANCJA

Pojemność akumulatora produktu stopniowo maleje. Zmniejszenie pojemności akumulatora występuje podczas normalnego użytkowania urządzenia i jest uważane za zużycie urządzenia. Zmniejszenie pojemności akumulatora nie stanowi wady urządzenia.

Więcej informacji dotyczących urządzenia oraz serwisu znajduje się na naszej stronie internetowej www.JVCAUDIO.pl



OSTRZEŻENIE: ABY UNIKNĄĆ NIEBEZPIECZEŃSTWA POŻARU LUB PORAŻENIA PRĄDEM ELEKTRYCZNYM, NIE WOLNO WYSTAWIAĆ SPRZĘTU NA DZIAŁANIE DESZCZU BĄDŹ WILGOCI. URZĄDZENIE ODBIORCZE ZAWSZE WYŁĄCZYĆ Z GNIAZDKA, KIEDY NIE JEST UŻYWANE LUB PRZED NAPRAWĄ. W URZĄDZENIU NIE MA ŻADNYCH CZĘŚCI, KTÓRE BY MÓGŁ ODBIORCASAMODZIELNIE NAPRAWIAĆ. NAPRAWĘ SPRZĘTU NALEŻY ZLECIĆ ODPOWIEDNIO PRZYGOTOWANEMU SERWISU AUTORYZACYJNEMU. URZĄDZENIE ZNAJDUJE SIĘ POD NIEBEZPIECZNYM NAPIĘCIEM.



NIEBEZPIECZEŃSTWO UDUSZENIA. TOREBKĘ Z PE POŁOŻYĆ W MIEJSCU BĘDĄCYM POZA ZASIĘGIEM DZIECI. TOREBKA NIE SŁUŻY DO ZABAWY! TEGO WORKA NIE NALEŻY UŻYWAĆ W KOŁYSKACH, ŁÓŻECZKACH, WÓZKACH LUB KOJCACH DZIECIĘCYCH.

Utylizacja zużytego sprzętu

(stosowane w krajach Unii Europejskiej i w pozostałych krajach europejskich stosujących systemy zbiórki)



Ten symbol na produkcie lub jego opakowaniu oznacza, że produkt nie może być traktowany jako odpad komunalny, lecz powinno się go dostarczyć do odpowiedniego punktu zbiórki sprzętu elektrycznego i elektronicznego, w celu recyklingu.

Odpowiednie zadysponowanie zużytego produktu zapobiega potencjalnym negatywnym wpływom na środowisko oraz zdrowie ludzi, jakie mogłyby wystąpić w przypadku niewłaściwego zagospodarowania odpadów. Recykling materiałów pomaga chronić środowisko naturalne. W celu uzyskania bardziej szczegółowych informacji na temat recyklingu tego produktu, należy skontaktować się z lokalną jednostką samorządu terytorialnego, ze służbami zagospodarowywania odpadów lub ze sklepem, w którym zakupiony został ten produkt.



Słowny znak towarowy i logo Bluetooth® są zarejestrowanymi znakami towarowymi należącymi do Bluetooth SIG, Inc. i wszelkie wykorzystanie tych znaków przez JENMART INDUSTRIAL (HK) CO., LIMITED odbywa się na podstawie licencji. Inne znaki towarowe i nazwy handlowe należą do ich właścicieli.

Niniejszym ETA a.s. oświadcza, że sprzęt radiowy typu RA-E313B-DAB spełnia wymagania dyrektywy 2014/53/EU. Pełny tekst deklaracji zgodności jest dostępny pod poniższym adresem internetowym: www.JVCAUDIO.cz/doc

ÚVOD

- Ďakujeme vám za zakúpenie tohto výrobku.
- Prečítajte si prosím tento návod na použitie, aby ste sa dozvedeli, ako správne tento prístroj ovládať. Po prečítaní návodu na použitie ho uložte na bezpečné miesto k možnému neskoršiemu využitiu.

BEZPEČNOSTNÉ POKYNY

- Dodržiavajte všetky varovania na výrobku a v návode na použitie
- Výrobok by mal byť používaný v miernej klíme.
- Nepoužívajte tento výrobok v blízkosti vane, umývadla, kuchynského drezu a práčovne, vo vlhkom suteréne, v blízkosti bazéna ani inde, kde je prítomná voda alebo vlhkosť.
- Výrobok nesmie byť vystavený kvapkajúcej ani tečúcej vode a nesmú sa na neho pokladať predmety naplnené tekutinami, ako napríklad vázy.
- Chráňte výrobok pred dažďom a vlhkosťou. Neumiestňujte ho do vlhkého prostredia, ktoré by mohlo spôsobiť jeho nefunkčnosť
- Pokiaľ výrobok náhle premiestnite z chladného do teplého prostredia a vo vnútri sa vytvorí vlhkosť, nemusí potom fungovať správne. Tento problém vyriešite tým, že počkáte približne hodinu, než sa vlhkosť odparí.
- Nevystavujte výrobok priamemu slnečnému svitu ani ho nestavajte blízko predmetom, ktoré vyžarujú teplo, aby nedošlo k jeho poškodeniu.
- Na výrobok by nemali byť pokladané zdroje otvoreného ohňa, ako napríklad sviečky.
- Nebráňte vetraniu zakrytím vetracích otvorov predmetmi, ako sú noviny, obrusy, záclony atď. Zaisťte minimálnu vzdialenosť 0,1 metra okolo výrobku pre dostatočné vetranie.
- Používajte iba prídavné zariadenia / príslušenstvo určené výrobcom.
- Počas búrky, alebo ak výrobok dlhodobo nepoužívate, odpojte ho zo zásuvky, aby ste zabránili jeho poškodeniu.
- Aby sa predišlo riziku požiaru alebo úrazu elektrickým prúdom, dbajte, aby nedošlo k preťaženiu elektrických zásuviek, predlžovacích káblov alebo integrovaných univerzálnych zásuviek.
- Všetok servis zverte kvalifikovanému servisnému personálu.

Nabíjanie

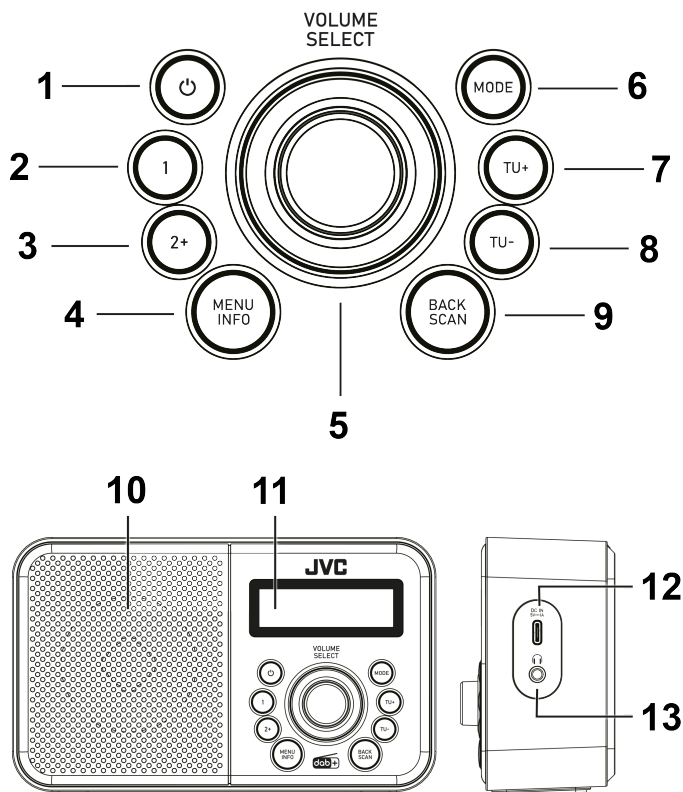
- **NIKDY** nedovoľte, aby sa výrobok dostal do kontaktu s vodou počas nabíjania. Mohlo by dôjsť k poškodeniu výrobku alebo zdroja napájania.
- **NIKDY** nepoužívajte výrobok s poškodeným káblom alebo po tom, čo kábel prestane byť funkčný alebo bol akýmkoľvek spôsobom poškodený.
- **NIKDY** nenechávajte výrobok počas nabíjania bez dozoru. Ak sa výrobok počas nabíjania zahrieva, dymí sa z neho alebo vydáva zápach, okamžite nabíjanie ukončite.

Rizika súvisiace s vysokou hlasitosťou



Pripojte slúchadlá s hlasitosťou nastavenou na nízku úroveň a v prípade potreby ju zvýšte. Dlhšie počúvanie s vysokou hlasitosťou môže v prípade niektorých slúchadiel spôsobiť poškodenie sluchu. Aby ste predišli možnému poškodeniu sluchu, nepočúvajte dlhodobo pri vysokej úrovni hlasitosti.

VYOBRAZENIE VÝROBKU A TLAČIDLA OVLÁDANIA



1. Tlačidlo **⏻** **STANDBY**
2. Tlačidlo **PRESET 1**
3. Tlačidlo **PRESET 2+**
4. Tlačidlo **MENU/INFO**
5. Gombík **VOLUME/SELECT**
6. Tlačidlo **MODE**
7. Tlačidlo **TU+**

8. Tlačidlo **TU-**
9. Tlačidlo **BACK/SCAN**
10. Reproduktor
11. Displej
12. Nabíjací port **USB-C™**
13. Slúchadlový výstup

ZAČÍNAME

NABÍJANIE

Pred prvým použitím vstavanú batériu úplne nabite. Nabíjací adaptér nie je súčasťou balenia. Prístroj nabíjajte pomocou bežného adaptéra 5 V / 1,4 A alebo prostredníctvom počítača. Ikona batérie na displeji ukazuje stav nabíjania.

POZNÁMKA: Ak batéria zoslabne, na displeji sa zobrazí <Vybitá batéria>.

DÔLEŽITÉ: Každé tri mesiace vykonajte úplné nabitie. Zabráňte tým skráteniu životnosti batérie.

ZÁKLADNÁ PREVÁDZKA

Zapnutie/vypnutie

- Stlačením tlačidla **⏻** **STANDBY** prístroj zapnete.
- Stlačením a podržaním tlačidla **⏻** **STANDBY** prepnete prístroj späť do pohotovostného režimu.

Voľba režimu

Opakovanými stlačeniami tlačidla **MODE** môžete prepínať medzi režimami DAB, FM a Bluetooth.

Menu nastavenia

- Stlačením a podržaním tlačidla **MENU/INFO** prejdete do menu.
- Otočením gombíka **VOLUME/SELECT** alebo stlačením tlačidiel **TU+/TU-** môžete ponukami prechádzať.
- Stlačením gombíka **VOLUME/SELECT** potvrdíte nastavenie.
- Stlačením tlačidla **BACK/SCAN** sa vrátite do predchádzajúcej ponuky alebo menu opustíte.

Voľba jazyka

Ak chcete zmeniť jazyk, stlačte a podržte tlačidlo **MENU/INFO** a potom v menu vyberte <Systém>/<Jazyk>.

POZNÁMKA: Východiskovým jazykom je čeština. K dispozícii je slovenčina, poľština, angličtina a nemčina.

Hlasitosť

Hlasitosť upravíte otáčaním gombíka **VOLUME/SELECT**.

PREDVOĽBY

Do pamäte môžete uložiť až 40 svojich obľúbených staníc DAB alebo FM. Umožníte tak rýchly a jednoduchý prístup k svojim obľúbeným staniciam. Ak chcete uložiť predvoľbu, musíte najprv naladiť stanicu, ktorú chcete uložiť.

Uloženie do predvoľby 1

- Stlačte a podržte tlačidlo **PRESET 1**, kým sa na displej nezobrazí <Predvoľba 1 uložená>.

Uloženie do predvoľieb 1 ~ 40

- Stlačte a podržte tlačidlo **PRESET 2+**.
- Otáčaním gombíka **VOLUME/SELECT** alebo stlačením tlačidiel **TU+/TU-** zvolte požadované číslo predvoľby stanice a stlačením gombíka voľbu potvrdte.
- Stanica sa uloží v priebehu niekoľkých sekúnd a na displeji sa zobrazí <Predvoľba # uložená>.

Vyvolanie predvoľby 1

Stlačte tlačidlo **PRESET 1**.

Vyvolanie predvoľieb 1 ~ 40

- Stlačte tlačidlo **PRESET 2+**.
- Otáčaním gombíka **VOLUME/SELECT** alebo stlačením tlačidiel **TU+/TU-** zvolte požadované číslo predvoľby stanice a stlačením gombíka voľbu potvrdte.

POZNÁMKA: Ak zvolíte prednastavené číslo stanice, ktoré nebolo priradené žiadnej stanici, na displeji sa zobrazí <# Prázdna>.

REŽIM DAB

POZNÁMKA: Pre dosiahnutie najlepšieho príjmu vyťahnite teleskopickú anténu na celú jej dĺžku alebo umiestnite prístroj na otvorené miesto.

Ak je prístroj pripojený k elektrickej sieti a prvýkrát zapnutý, automaticky sa prepne do režimu DAB a vykoná funkciu automatického vyhľadávania. Počas vyhľadávania sa na displeji zobrazí <Ladenie...> spolu so stavovým pruhom, ktorý ukazuje priebeh vyhľadávania a počet staníc, ktoré boli doteraz nájdené. Po dokončení vyhľadávania prístroj vyberie prvú nájdenú stanicu v alfanumerickom poradí.

Ak chcete prechádzať a počúvať nájdené stanice, vyberte stanicu pomocou tlačidiel **TU+/TU-** a potom stlačte gombík **VOLUME/SELECT** pre potvrdenie.

Automatické vyhľadávanie

Automatické vyhľadávanie prehľadá kanály v celom pásme III pre DAB+.

- Ak chcete aktivovať úplné vyhľadávanie, stlačte tlačidlo **BACK/SCAN** alebo stlačte a podržte tlačidlo **MENU/INFO** a vyberte <Autom. ladenie>.
- Po dokončení úplného vyhľadávania sa rádio vráti k prehrávaniu predtým zvolenej stanice alebo prvej stanice v zozname staníc.

Manuálne ladenie

Môže vám pomôcť nasmerovať anténu alebo pridať stanice, ktoré po automatickom vyhľadávaní chýbajú.

- Stlačením a podržaním tlačidla **MENU/INFO** prejdite do menu a potom vyberte <Ručné ladenie>.
- Otáčaním gombíka **VOLUME/SELECT** alebo stlačením tlačidiel **TU+/TU-** vyberte požadovaný kanál DAB a stlačením gombíka voľbu potvrdíte.

POZNÁMKA: Kanály DAB sú číslované od 5A do 13F. Počas manuálneho ladenia rozhlasovej stanice nevidíte ani nič nebudete počuť.

Zobrazenie DAB informácií

Pre zobrazenie ďalších informácií o stanici, ktorú počúvate, stlačte opakovane tlačidlo **MENU/INFO**. Na displeji sa zobrazia nasledujúce informácie:

- Sila signálu ako stavový pruh ukazujúci jeho intenzitu
- Typ programu
- Názov multiplexu
- Frekvencia
- Chyba signálu
- Bitrate
- Čas / Dátum
- DLS je posúvajúca sa správa, ktorú môže prevádzkovateľ vysielania zahrnúť do svojho vysielania. Správa obvykle obsahuje informácie, napríklad podrobnosti o programe atď.

Odstránenie neplatných staníc

Zo zoznamu môžete odstrániť všetky nedostupné stanice.

- Stlačením a podržaním tlačidla **MENU/INFO** prejdite do menu a potom zvolte <Zmazať neplatné>.
- Otáčaním gombíka **VOLUME/SELECT** alebo stlačením tlačidiel **TU+/TU-** vyberte <Áno> čím odstránenie potvrdíte alebo ho zrušte výberom <Nie>, stlačením gombíka voľbu potvrdíte.

REŽIM FM

POZNÁMKA: Pre dosiahnutie najlepšieho príjmu vyťahnite teleskopickú anténu na celú jej dĺžku alebo umiestnite prístroj na otvorené miesto.

Automatické vyhľadávanie

- Ak chcete aktivovať automatické vyhľadávanie, stlačte tlačidlo **BACK/SCAN**.
- Po dokončení automatického vyhľadávania sa všetky nájdené stanice uložia do predvoľieb. Ak chcete tieto stanice prechádzať, stlačte tlačidlo **PRESET 2+**.

POZNÁMKA: Vyhľadávanie sa nemusí zastaviť na stanici s veľmi slabým signálom.

- Stlačením a podržaním tlačidla **TU+/TU-** vyhľadáte ďalšiu/predchádzajúcu stanicu.

Manuálne vyhľadávanie

- Ak chcete stanicu vyhľadať manuálne, stlačte opakovane tlačidlo **TU+/TU-**, kým nedosiahnete požadovanú frekvenciu.

POZNÁMKA: Každé stlačenie zvýši/zníži frekvenciu o 0,05 MHz. Ak je príjem slabý, upravte polohu antény alebo skúste rádio premiestniť na iné miesto

Zobrazenie FM informácií

Pre zobrazenie ďalších informácií o stanici, ktorú počúvate, stlačte opakovane tlačidlo **MENU/INFO**. Na displeji sa zobrazia nasledujúce informácie:

- Rádiotext
- Typ programu
- Názov stanice
- Typ zvuku
- Čas / Dátum

Nastavenie vyhľadávania

Nastavenie pre vyhľadávanie všetkých staníc alebo iba staníc so silným signálom.

- Stlačením a podržaním tlačidla **MENU/INFO** prejdete do menu a potom vyberte <Nast. ladenia>.
- Otáčaním gombíka **VOLUME/SELECT** alebo stlačením tlačidiel **TU+/TU-** vyberte <Silné stanice> alebo <Všetky stanice> a potom stlačením gombíka voľbu potvrdíte.

Nastavenie zvuku

Tento prístroj automaticky prepína medzi stereofónnym a monofónnym režimom, ale môžete to urobiť sami a prepnúť túto funkciu manuálne. Tento spôsob je možné použiť pri zlom príjme signálu.

- Stlačením a podržaním tlačidla **MENU/INFO** prejdete do menu a potom vyberte <Nast. zvuku>.
- Otáčaním gombíka **VOLUME/SELECT** alebo stlačením tlačidiel **TU+/TU-** vyberte <Stereo> alebo <Mono> a potom stlačením gombíka voľbu potvrdíte.

BLUETOOTH

- V režime Bluetooth bude na displeji blikať <Odpojené>. To znamená, že prístroj nie je spárovaný so žiadnym Bluetooth zariadením.
- Aktivujte funkciu Bluetooth na mobilnom telefóne, vyhľadajte názov zariadenia **RA-E313B-DAB** a potom vykonajte pripojenie. Ak je spárovanie úspešné, na displeji sa zobrazí <Pripojené>.

Prehrávanie

- Nastavte hlasitosť na požadovanú úroveň.
- Stlačením gombíka **VOLUME/SELECT** spustíte/pozastavíte prehrávanie.
- Stlačením tlačidla **TU+/TU-** preskočíte na ďalšiu/predchádzajúcu skladbu.

POZNÁMKA: Prevádzkový dosah medzi prístrojom a zariadením je približne 8 metrov.

Ak je sila signálu slabá, váš prijímač s funkciou Bluetooth sa môže odpojiť, ale automaticky sa znovu prepne do režimu párovania.

Pre lepší príjem signálu odstráňte všetky prekážky medzi prístrojom a zariadením s funkciou Bluetooth. Nie je možné zaručiť kompatibilitu so všetkými zariadeniami a typmi médií.

Niektoré mobilné telefóny s funkciou Bluetooth sa môžu pripojiť a odpojiť, ak prijmete alebo ukončíte hovor. Nejde o chybu prístroja.

NASTAVENIE SYSTÉMU

- Stlačením a podržaním tlačidla **MENU/INFO** prejdite do menu a potom vyberte <Systém>.

Odložené vypnutie

Ak chcete nastaviť časovač odloženého vypnutia, vyberte <Aut. vypnutie>.

- Otáčaním gombíka **VOLUME/SELECT** alebo stlačením tlačidiel **TU+/TU-** nastavte časovač na <Nevypínať / 15 / 30 / 45 / 60 / 90 minút>, stlačením gombíka voľbu potvrdíte.

POZNÁMKA: Ak je časovač nastavený, na displeji sa zobrazí <S##> so zostávajúcim časom.

Budík

K dispozícii sú dva budíky. Pre ich nastavenie vyberte <Budík>.

- Otáčaním gombíka **VOLUME/SELECT** alebo stlačením tlačidiel **TU+/TU-** vyberte <Nast. budíka 1> alebo <Nast. budíka 2>, stlačením gombíka voľbu potvrdíte.
- Nastavte všetky parametre budíka. Ak chcete aktivovať budík, v poslednom kroku nastavenia zvolte <Zapnúť budík>.

POZNÁMKA: Ak je budík aktivovaný, na displeji sa zobrazí ikona budíka.

Čas/Dátum

Ak chcete nastaviť čas/dátum, vyberte <Čas a dátum>.

- Nastavte čas, dátum, formát času 12/24 hodín a formát pre dátum.
- Čas a dátum je možné automaticky aktualizovať z príjmu DAB a (alebo) FM. Pre nastavenie automatickej aktualizácie zvolte <Aktualiz. času>.

Podsvietenie

Ak chcete nastaviť podsvietenie displeja, vyberte <Podsvietenie>.

- Ak chcete nastaviť dobu, počas ktorej sa má intenzita podsvietenia displeja znížiť, vyberte <Znížiť jas po>.
- Ak chcete nastaviť intenzitu podsvietenia displeja, vyberte <Úroveň jasu>.

Ekvalizér

Ak chcete nastaviť ekvalizér, vyberte <Ekvalizér>.

Jazyk

Ak chcete nastaviť jazyk, vyberte <Jazyk>.

Obnovenie továrenského nastavenia

Obnovíte všetky užívateľské nastavenia na východiskové hodnoty takže čas, dátum a predvoľby sa vymažú. Ak chcete vykonať obnovenie na výrobné nastavenia, vyberte <Továrenské nast.>.

Verzia softvéru

Ak chcete zobrazíť verziu softvéru, vyberte <Verzia softvéru>.

ÚDRŽBA / ČISTENIE

- Pred čistením sa uistite, že je prístroj celkom odpojený z elektrickej zásuvky.
- K čisteniu zariadenia nikdy nepoužívajte brusné čistiace prostriedky alebo silné rozpúšťadlá, pretože by mohlo dôjsť k poškodeniu povrchu prístroja. Vhodná je suchá mäkká handrička. Pokiaľ je však prístroj veľmi znečistený, možno použiť mierne navlhčenú handričku.

Po vyčistení sa uistite, že je prístroj suchý.

Pokiaľ je nutné zariadenie niekam odoslať, uložte ho do pôvodného obalu. Pro tento účel si obal uschovajte.

TECHNICKÉ ŠPECIFIKÁCIE

VŠEOBECNÉ

| | |
|----------------------------------|---------------------------|
| Vstupné jednosmerné napätie/prúd | 5V / 1,4 A |
| Typ batérie | Li-ion (3,7 V / 2200 mAh) |
| Doba nabíjania batérie | približne 2 hodiny |
| Výdrž batérie | 17 hodín (hlasitosť 50 %) |
| Hmotnosť približne | 345 g |
| Rozmery | 160 x 98 x 59 mm |
| Prevádzková teplota | +5 až +35 °C |

SEKCE RÁDIA

| | |
|------------------------|---------------------|
| Frekvenční rozsah FM | 87,5 – 108 MHz |
| Frekvenční rozsah DAB+ | 174,928 – 239,2 MHz |
| Předvolby | DAB+ 40 / FM 40 |

SEKCE BLUETOOTH

| | |
|--------------------------------------|-----------------|
| Bluetooth | V 5.0 |
| Frekvenční rozsah Bluetooth | 2402 – 2480 MHz |
| EIRP (ekvivalentní vyzařovací výkon) | 4 dBm |

SEKCE AUDIO

| | |
|----------------|-----------|
| Výstupní výkon | 1 x 1,5 W |
|----------------|-----------|

ZMĚNA TECHNICKÉ SPECIFIKACE VÝROBKU VYHRAZENA VÝROBCEM.

OBSAH BALENIA

Digitálne rádio DAB+/FM, nabíjací kábel USB-C, návod na použitie

ZÁRUKA

Kapacita batérie výrobku se postupne znižuje. K zníženiu kapacity batérie dochádza pri obvyklom užívaní spotrebiča a považuje sa za bežné opotrebovanie spotrebiča. Zníženie kapacity batérie nie je vadou spotrebiča, ale prirodzenou vlastnosťou batérie.

Informácie o výrobku a servisnej sieti nájdete na internetovej adrese www.JVCAUDIO.sk



VAROVANIE: NEVYSTAVUJTE SPOTREBIČ DAŽĎU ALEBO VLHKOSTI, ABY STE PREDIŠLI VZNIKU POŽIARU ALEBO ÚRAZU ELEKTRICKÝM PRÚDOM. PRED OPRAVOU ALEBO VŽDY, KEĎ SPOTREBIČ NEPOUŽÍVATE, VYPNITE HO ZO ZÁSUVKY. V PRÍSTROJI NIESÚ ŽIADNE ČASTI OPRAVITEĽNÉ SPOTREBIČOM. VŽDY SA OBRACAJTE NA KVALIFIKOVANÝ AUTORIZOVANÝ SERVIS. SPOTREBIČ JE POD NEBEZPEČNÝM NAPÄTÍM.



NEBEZPEČENSTVO UDUSENIA. PE VRECKO ODKLADAJTE MIMO DOSAHU DETÍ. VRECKO NIE JE NA HRANIE. NEPOUŽÍVAJTE TOTO VREČÚŠKO V KOLÍSKACH, POSTIELKACH, KOČÍKACH ALEBO DETSKÝCH OHRÁDKACH.

Likvidácia starých elektrických a elektronických zariadení (Vzťahuje sa na Európsku úniu a európske krajiny so systémami oddeleného zberu)



Tento symbol na výrobku alebo obale znamená, že s výrobkom po ukončení jeho životnosti nemôže byť nakladané ako s bežným odpadom z domácnosti. Musí sa odovzdať do príslušnej zberne na recykláciu elektrických a elektronických zariadení. Zaručením správnej likvidácie tohto výrobku pomôžete pri predchádzaní potenciálnych negatívnych dopadov na životné prostredie a na zdravie človeka, ktoré by mohli byť zapríčinené nevhodným zaobchádzaním s odpadmi z tohto výrobku. Recyklovaním materiálov pomôžete zachovať prírodné zdroje. Podrobnejšie informácie o recyklácii tohto výrobku vám na požiadanie poskytne miestny úrad, služba likvidácie komunálneho odpadu alebo predajňa, v ktorej ste si tento výrobok zakúpili.

Bluetooth®

Slovná značka a logá Bluetooth® sú registrované ochranné známky vlastnené spoločnosťou Bluetooth SIG, Inc. a akékoľvek použitie týchto značiek spoločnosťou JENMART INDUSTRIAL (HK) CO., LIMITED je licencované. Ostatné ochranné známky a obchodné názvy sú majetkom príslušných vlastníkov.

Týmto ETA a.s. prehlasuje, že typ rádiového zariadenia RA-E313B-DAB je v súlade so smernicou 2014/53/EU. Úplné znenie prehlásenia o zhode EÚ je k dispozícii na tejto internetovej adrese: www.JVCAUDIO.cz/doc

BEVEZETÉS

- Köszönjük, hogy a mi készülékünket választotta!
- Kérjük olvassa el a használati utasítást figyelmesen, a készülék megfelelő használata érdekében! Elolvasás után tárolja a kézikönyvet biztonságos helyen a későbbi használathoz!

BIZTONSÁGI ÓVINTÉZKEDÉSEK

Alap szabályok

- Vegye figyelembe a terméken és a használati útmutatóban található összes figyelmeztetést!
- A készüléket mérsékelt éghajlaton kell használni!
- Ne használja ezt a készüléket fürdőkád, mosdókagyló, konyhai mosogató és mosókád közelében, nedves pincében, úszómedence közelében, vagy olyan helyen, ahol víz, vagy nedvesség van!
- A készüléket ne tegye ki csepegésnek, vagy fröccsenésnek, ne helyezzen a készülékre folyadékkal töltött tárgyat, például vázát!
- Tartsa távol a készüléket esőtől és nedvességtől! Ne helyezze a készüléket nedves és párás helyre, mert ez hibás működéshez vezethet!
- Ha a készüléket hirtelen hideg környezetből meleg helyre viszi, előfordulhat, hogy nem fog megfelelően működni, ha nedvesség képződik benne! A probléma megoldásához várjon körülbelül egy órát, amíg a nedvesség elpárolog.
- A készülék károsodásának elkerülése érdekében ne tegye ki a készüléket közvetlen napfénynek, vagy olyan közeli tárgyknak, amelyek hőt sugároznak!
- Ne helyezzen nyílt lángot, például égő gyertyát a készülékre!
- A szellőzést ne akadályozza a szellőzőnyílások letakarásával, pl. újságokkal, terítőekkel, függönyökkel stb.! A megfelelő szellőzés érdekében a készülék körül legalább 0,1 méter távolságot kell tartani.
- Csak a gyártó által előírt tartozékokat használja!
- Húzza ki a készüléket villámlás közben, vagy ha hosszabb ideig nem használja, hogy elkerülje a készülék károsodását!
- A tűz, vagy áramütés elkerülése érdekében kerülje a fali aljzatok, a hosszabbító kábelek, vagy a beépített csatlakozóaljzatok túlterhelését!
- Minden szervizelést bízson szakképzett szervizszemélyzetre!

Töltés

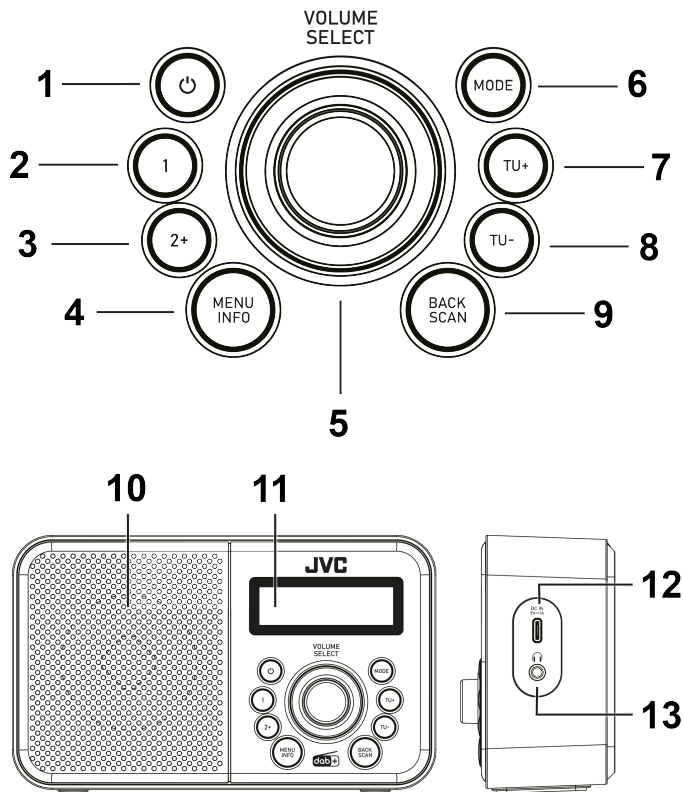
- **SOHA** ne tegye ki a készüléket víznek töltés közben, mert ez a készülék, vagy az áramforrás károsodását okozhatja.
- **SOHA** ne működtesse a készüléket sérült kábellel, vagy miután meghibásodott, vagy bármilyen módon megsérült.
- **SOHA** ne hagyja felügyelet nélkül a készüléket töltés közben. Ha a készülék töltés közben felforrósodik, füstöl, vagy szagot áraszt, azonnal szakítsa meg a töltést.

Magas hangerőhöz tartozó veszélyek



Csatlakoztassa a fejhallgatót alacsony hangerővel, és szükség esetén növelje azt. A fejhallgatón keresztül, nagy hangerőn történő hosszan tartó hallgatás halláskárosodást okozhat. Az esetleges halláskárosodások megelőzése érdekében ne hallgassa magas hangerővel hosszú ideig a készüléket!

KÉSZÜLÉK ÉS VEZÉRLŐ GOMBOK LEÍRÁSA



- | | |
|---------------------------------|--------------------------|
| 1. ⏻ STANDBY gomb | 8. TU- gomb |
| 2. PRESET 1 gomb | 9. BACK/SCAN gomb |
| 3. PRESET 2+ v | 10. Hangszóró |
| 4. MENU/INFO gomb | 11. Kijelző |
| 5. VOLUME/SELECT gombot | 12. USB-C™ töltő aljzat |
| 6. MODE gomb | 13. Fülhallgató kimenet |
| 7. TU+ gomb | |

ELSŐ HASZNÁLAT

ELSŐ HASZNÁLAT

Az első használat előtt töltsse fel teljesen a beépített akkumulátort. A töltőt nem tartalmazza a csomag, kérjük töltsse a hangszórót szabványos 5 V / 1,4 A-es töltőn, vagy számítógépen keresztül. A kijelzőn látható akkumulátor ikon jelzi a töltés állapotát.

MEGJEGYZÉS: A kijelzőn <Battery Low> felirat jelenik meg, ha az akkumulátor lemerül.

FONTOS: Kérjük, háromhavonta töltsse fel teljesen, hogy elkerülje az akkumulátor élettartamának lerövidülését.

ALAP MŰKÖDÉS

BE/KIKAPCSOLÁS

- Nyomja meg a **⏻** **STANDBY** gombot a készülék bekapcsolásához.
- Nyomja meg és tartsa megnyomva a **⏻** **STANDBY** gombot a készenléti mód kapcsolásához.

Mód kiválasztása

Nyomja meg a **MODE** gombot ismételten a DAB, FM és Bluetooth módok közötti választáshoz.

Beállítási menü

- Nyomja meg és tartsa megnyomva a **MENU/INFO** gombot a menübe való belépéshez.
- **VOLUME/SELECT**, vagy **TU+/TU-** gombokkal mozogjon a menüben.
- Nyomja meg a **VOLUME/SELECT** gombot a megerősítéshez.
- **BACK/SCAN** gombbal lépjen vissza az előző menübe, vagy lépjen ki a menüből.

Nyelv kiválasztása

Nyelv változtatásához nyomja meg és tartsa megnyomva a **MENU/INFO** gombot, utána válassza ki <System>/<Jazyk> opciót a menüben.

MEGJEGYZÉS: Az alapértelmezett nyelv a cseh. Az elérhető nyelvek a szlovák, lengyel, angol és német.

Hangerő

Forgassa a **VOLUME/SELECT** gombot a hangerő beállításához.

CSATORNÁK MENTÉSE

Akár 40 kedvenc DAB, vagy FM csatorna menthető le. Ezzel gyorsan és egyszerűen elérheti a kedvenc csatornáit. Csatorna mentéséhez szükséges a kívánt csatornát hallgatni, amelyet menteni szeretne.

1-es csatorna mentése

- Nyomja meg és tartsa megnyomva a **PRESET 1** gombot, amíg a kijelzőn <Preset # stored> felirat nem jelenik meg.

1 ~ 40 csatornák mentése

- Nyomja meg és tartsa megnyomva a **PRESET 2+** gombot.
- **VOLUME/SELECT**, vagy **TU+/TU-** gombokkal válassza ki a kívánt memória helyet, utána nyomja meg a gombot a megerősítéshez.
- A csatorna le lesz mentve néhány másodpercen belül, a kijelzőn <Preset # stored> felirat jelenik meg.

1-es csatorna hallgatása

- Nyomja meg a **PRESET 1** gombot.

1 ~ 40-es csatornák hallgatása

- Nyomja meg a **PRESET 2+** gombot.
- **VOLUME/SELECT**, vagy **TU+/TU-** gombokkal válassza ki a kívánt csatornát, utána nyomja meg a gombot a megerősítéshez.

MEGJEGYZÉS: Ha olyan memória helyet választ, amelyen nincs mentett csatorna, az <# Empty> felirat jelenik meg a kijelzőn.

DAB MŰKÖDÉS

MEGJEGYZÉS: Húzza ki a teleszkópos antennát teljes hosszában a legjobb vétel érdekében, vagy helyezze a készüléket nyílt területre.

Hálózathoz való csatlakozás és bekapcsolás után a készülék automatikusan DAB módba lép be és elkezd csatornákat keresni. Keresés közben <Scanning...> felirat, keresési lista és a talált csatornák száma jelenik meg a kijelzőn. Keresés befejezése után az első talált csatorna lejátszása elkezdődik.

Kívánt csatorna kiválasztásához használja a **TU+/TU-** gombokat, utána nyomja meg a **VOLUME/SELECT** gombot a megerősítéshez.

Teljes keresés

A Full Scan funkció az összes DAB+ Band III csatornát keresi.

- Full Scan funkció aktiválásához nyomja meg a **BACK/SCAN** gombot, vagy nyomja meg és tartsa megnyomva a **MENU/INFO** gombot és válassza ki a <Full Scan> opciót.
- Teljes keresés után a készülék újra elkezdi az előtte lejátszott csatornát, vagy a listán lévő első csatornát játszani.

Manuális keresés

Segíthet az antenna beállításában, vagy olyan csatornák hozzáadásában, amelyek hiányoznak a teljes keresés után.

- Nyomja meg és tartsa megnyomva a **MENU/INFO** gombot a menübe való belépéshez, utána válassza ki a <Manual tune> opciót.
- **VOLUME/SELECT**, vagy **TU+/TU-** gombokkal válassza ki a kívánt DAB csatornát, utána nyomja meg a gombot a megerősítéshez.

MEGJEGYZÉS: DAB csatornák számolása 5A - 13F között történik. Manuális keresés közben nem lehet semmilyen csatornát hallani.

DAB infó

A hallgatott csatornához tartozó további információk megtekintéséhez nyomja meg a távirányítón lévő **MENU/INFO** gombot, majd a kijelzőn a következő információk jelennek meg:

- Jelerősség csúszósávként, amely jelzi a jelerősséget
- Program típusa
- Multiplex neve
- Frekvencia
- Jel hibája
- Bitráta
- Idő / Dátum
- DLS / A dinamikus címkeszegmens egy görgető üzenet, amelyet a műsorszolgáltató mellékelhet adásaihoz. Az üzenet általában információkat tartalmaz, például a program részleteit stb.

Nem elérhető csatornák törlése

Az összes nem elérhető csatornát eltávolíthatja a listáról.

- Nyomja meg és tartsa megnyomva a **MENU/INFO** gombot a menübe való belépéshez, utána válassza ki a <Prune> opciót.
- **VOLUME/SELECT**, vagy **TU+/TU-** gombokkal válassza ki a <Yes> opciót törléshez, vagy <No> opciót visszalépéshez, utána nyomja meg a gombot a megerősítéshez.

FM MŰKÖDÉS

MEGJEGYZÉS: Húzza ki a teleszkópos antennát teljes hosszában a legjobb vétel érdekében, vagy helyezze a készüléket nyílt területre.

Automatikus keresés

- Teljes keresés elindításához nyomja meg és tartsa megnyomva a **BACK/SCAN** gombot.
- Teljes keresés után az összes talált csatorna le lesz mentve. Ha szeretne mentett csatornákat hallgatni, nyomja meg a **PRESET 2+** gombot.

MEGJEGYZÉS: Lehetséges, hogy gyenge jelű csatornánál a keresés nem áll meg.

- Nyomja meg és tartsa megnyomva a **TU+/TU-** gombot a következő/előző csatorna kereséséhez.

Manuális keresés

- Manuális kereséshez nyomja meg a **TU+/TU-** gombokat ismételten, amíg a kívánt frekvencia nem jelenik meg.

MEGJEGYZÉS: Minden megnyomás 0,05 MHz-el növeli/csökkenti a frekvenciát. Ha gyenge a jel, állítsa be az antennát, vagy próbálja meg áthelyezni a rádiót egy másik helyre.

FM infó

A hallgatott csatornáról szóló további információk megtekintéséhez nyomja meg a távirányítón lévő **MENU/INFO** gombot, a kijelzőn a következő információk jelennek meg:

- Rádió szöveg
- Program típusa
- Csatorna neve
- Audió típusa
- Idő, dátum

Keresés beállítása

Az összes, vagy csak az erős jelű állomások keresésére.

- Nyomja meg és tartsa megnyomva a **MENU/INFO** gombot a menübe való belépéshez, utána válassza ki a <Scan settings> opciót.
- **VOLUME/SELECT**, vagy **TU+/TU-** gombokkal válassza ki a < Strong Stations >, vagy < All Stations > opciót, utána nyomja meg a gombot a megerősítéshez.

Audió beállítás

Ez a készülék automatikusan átvált a sztereó és a monó mód között, de ha szeretné manuálisan válthat a két mód között. Ez hasznos lehet rossz jelvétel esetén.

- Nyomja meg és tartsa megnyomva a **MENU/INFO** gombot a menübe való belépéshez, utána válassza ki az <Audió settings> opciót.
- **VOLUME/SELECT**, vagy **TU+/TU-** gombokkal válassza ki a <Stereo Allowed>, vagy <Forced Mono> opciót, utána nyomja meg a gombot a megerősítéshez.

BLUETOOTH

- Bluetooth módban <Not Connected> felirat villog a kijelzőn. Ez azt jelenti, hogy a készülék nincs párosítva egyetlen Bluetooth-eszközzel sem.
- Aktiválja a telefonon lévő Bluetooth funkciót és keresse meg **RA-E313B-DAB** nevű eszközt és csatlakozzon hozzá. Sikeres párosítás esetén <Connected> felirat jelenik meg a kijelzőn.

Lejátszás

- Állítsa be a hangerőt a kívánt szintre.
- **VOLUME/SELECT** gombbal indítsa el/szüneteltesse a lejátszást.
- **TU+/TU-** gombbal ugorjon az előző/következő zeneszámra.

MEGJEGYZÉS: Saját eszköz és a készülék közötti működési távolság körülbelül 8 méter. Ha gyenge a jelerősség, előfordulhat, hogy a Bluetooth-vevő lecsatlakozik, de automatikusan újra párosítási módba lép. A jobb jelvétele érdekében távolítsa el minden akadályt a készülék és a Bluetooth-eszköz között. Összes eszközzel és médiatípussal való kompatibilitás nem garantált.

Egyes Bluetooth funkcióval rendelkező mobiltelefonok hívások kezdeményezése és befejezése közben csatlakozhatnak és lecsatlakozhatnak. Ez nem jelenti a készülék hibáját

RENDSZER BEÁLLÍTÁS

- Nyomja meg és tartsa megnyomva a **MENU/INFO** gombot a menübe való belépéshez, utána válassza ki a <System> opciót.

Alvó időzítő

Válassza ki a <Sleep> opciót.

- **VOLUME/SELECT**, vagy **TU+/TU-** gombokkal állítsa be az időzítőt <Sleep off / 15 / 30 / 45 / 60 / 90 minutes>, utána nyomja meg a gombot a megerősítéshez.

MEGJEGYZÉS: Ha az alvó időzítő be van állítva a <S##> felirat a hátralévő idővel jelenik meg.

Riasztás

Két riasztás érhető el. Riasztás beállításához válassza ki az <Alarm> opciót.

- **VOLUME/SELECT**, vagy **TU+/TU-** gombokkal válassza ki az <Alarm 1 Setup>, vagy <Alarm 2 Setup> opciót, utána nyomja meg a gombot a megerősítéshez.
- Állítsa be a riasztás összes paramétereit. Riasztás aktiválásához válassza ki az <Alarm on> opciót.

MEGJEGYZÉS: Ha a riasztás aktiválva van, riasztás ikon jelenik meg a kijelzőn.

Idő/Dátum

Idő/dátum beállításához válassza ki a <Time> opciót.

- Állítsa be az időt, dátumot, 12/24 idő formátumot és dátum formátumot.
- Az idő és dátumot a DAB és/vagy FM jelből automatikusan be lehet állítani. Válassza ki az <Auto update> opciót.

Háttérvilágítás

Háttérvilágítás beállításához válassza ki a <Backlight> opciót.

- A kívánt idő beállítása, amely után a kijelző háttérvilágítása csökken, válassza ki a <Timeout> opciót.
- Háttérvilágítás szint beállításához válassza ki az <On level> opciót.

Hangszínszabályozó

Hangszínszabályozó beállításához válassza ki az <EQ> opciót.

Nyelv

Nyelv beállításához válassza ki a <Language> opciót.

Gyári visszaállítás

Ha ezt az opciót válassza ki, minden idő, dátum és más beállítás törlődik. Visszaállításhoz válassza ki a <Factory Reset> opciót.

Software verzió

Software verzió megjelenítéséhez válassza ki a <SW version> opciót.

KARBANTARTÁS / TISZTÍTÁS

- Tisztítás előtt győződjön meg arról, hogy a tápkábel teljesen ki van húzva a hálózati aljzatból.
- Soha ne használjon durva vagy erős oldószert a készülék tisztításához, mert ezek károsíthatják a készülék felületét. Száraz, puha ruha megfelelő, de ha a készülék erősen szennyezett, enyhén nedves ruhával letörölheti. Tisztítás után győződjön meg arról, hogy a készülék teljesen megszáradt.

Ha át kell helyeznie a készüléket, tárolja azt az eredeti csomagolásában. Tartsa meg a csomagolást erre a célra.

SPECIFIKÁCIÓK

ÁLTALÁNOS

| | |
|-----------------------------|--------------------------------|
| DC bemeneti feszültség/áram | 5V / 1,4 A |
| Akkumulátor típusa | Lithium-ion (3,7 V / 2200 mAh) |
| Akkumulátor töltési ideje | kb. 2 óra |
| Akkumulátor működési ideje | 17 óra (50 % Hangerő) |
| Súly | Kb. 345 g |
| Méret | 160 x 98 x 59 mm |
| Működési hőmérséklet | +5°C ~ +35°C |

RÁDIÓ

| | |
|---------------------------|---------------------|
| FM frekvencia tartomány | 87,5 – 108 MHz |
| DAB+ frekvencia tartomány | 174,928 – 239,2 MHz |
| Memóriahely | DAB+ 40 / FM 40 |

BLUETOOTH SZEKCIÓ

| | |
|-------------------------|-----------------|
| Bluetooth | V 5.0 |
| BT frekvencia tartomány | 2402 – 2480 MHz |
| EIRP | 4 dBm |

AUDIÓ

| | |
|--------------|---------------|
| Teljesítmény | 1 x 1,5 Watts |
|--------------|---------------|

FENNTARTJUK A JOGOT A TECHNIKAI SPECIFIKÁCIÓK VÁLTOZTATÁSÁRA.

CSOMAGOLSÁ TARTALMA

DAB+/FM rádió, USB-C töltőkábel, Használati utasítás

GARANCIA

A termék akkumulátorának kapacitása fokozatosan csökken. Az akkumulátor kapacitása a készülék normál használata során csökken, és a készülék elhasználódásának minősül. Az akkumulátor kapacitásának csökkenése nem minősül a készülék meghibásodásának.

Termékről és szerviz hálózatról szóló információ itt található www.JVCAUDIO.hu



FIGYELEM: TŰZ VAGY ÁRAMÜTÉS ELKERÜLÉSE ÉRDEKÉBEN NE TEGYE KI A KÉSZÜLÉKET ESŐ VAGY NEDVESSÉG HATÁSÁNAK. HASZNÁLATON KÍVÜL VAGY JAVÍTÁS ELŐTT MINDIG HÚZZA KI A KÉSZÜLÉKET AZ ELEKTROMOS HÁLÓZATBÓL. A KÉSZÜLÉK NEM TARTALMAZ A FELHASZNÁLÓ ÁLTAL JAVÍTHATÓ ALKATRÉSZEKET. MINDIG FORDULJON SZAKSZERVIZHEZ. A KÉSZÜLÉK VESZÉLYES FESZÜLTÉG ALATT VAN.



FULLADÁSVESZÉLY. TARTSA A PE ZACSKÓT GYERMEKEKTŐL ELZÁRT HELYEN. A ZACSKÓ NEM JÁTÉKSZER. NE HASZNÁLJA EZT A ZACSKÓT BÖLCSÖKBEN, KISÁGYAKBAN, BABAKOCSIKBAN, VAGY GYEREK JÁRÓKÁKBAN.

Feleslegessé vált elektromos és elektronikus készülékek hulladékként való eltávolítása (Használható az Európai Unió és egyéb európai országok szelektív hulladékgyűjtési rendszereiben)



Ez a szimbólum a készüléken, vagy annak csomagolásán azt jelzi, hogy a terméket ne kezelje háztartási hulladékként! Kérjük, hogy az elektromos és elektronikai hulladék gyűjtésére kijelölt gyűjtőhelyen adja le! A feleslegessé vált termék helyes kezelésével segít megelőzni a környezet és az emberi egészség károsodását, mely bekövetkezhetne, ha nem követi a hulladékkezelés helyes módját. Az anyagok újrahasznosítása segít a természeti erőforrások megőrzésében. A termék újrahasznosítása érdekében, valamint további információért forduljon a hozzátartozó hivatalhoz, vagy a lakhelyén lévő hulladékokkal foglalkozó szolgáltatóhoz, illetve ahhoz az üzlethez, ahol a terméket megvásárolta!

Bluetooth®

A Bluetooth® szó védjegy és logó a Bluetooth SIG, Inc. tulajdonában lévő bejegyzett védjegyek, és a JENMART INDUSTRIAL (HK) CO., LIMITED általi felhasználás licenc alapján történik. Az egyéb védjegyek és kereskedelmi nevek a megfelelő tulajdonosok tulajdona.

Ezáltal az ETA a.s. kijelenti, hogy a RA-E313B-DAB típusú rádióberendezések megfelelnek a 2014/53/EU irányelvnek. Az EU-megfelelőségi nyilatkozat teljes szövege a következő internetes címen érhető el: www.JVCAUDIO.cz/doc

INTRODUCERE

- Vă mulțumim că ați cumpărat produsul nostru.
- Vă rugăm să citiți aceste instrucțiuni de utilizare, astfel încât să știți cum să vă utilizați corect echipamentul. După ce ați terminat de citit manualul de instrucțiuni, puneți-l într-un loc sigur pentru referințe viitoare.

INSTRUCȚIUNI PRIVIND SIGURANȚA

General

- Respectați toate avertismentele – atât de pe produs, cât și din ghidul de utilizare.
- Dispozitivul trebuie utilizat în condiții climatice moderate.
- Nu utilizați acest dispozitiv în apropierea unei căzi de baie, a unui vas de spălat, a unei chiuvete de bucătărie, a unei căzi de rufe, într-un subsol umed, lângă o piscină sau oriunde altundeva unde există apă sau umezeală.
- Dispozitivul nu trebuie să fie expus la picurare sau stropire, nu trebuie amplasate pe aparat obiecte umplute cu lichide, cum ar fi vase.
- Păstrați dispozitivul departe de ploaie și de orice umiditate. Nu amplasați dispozitivul în condiții umede și condiții de umezeală, situație care ar putea duce la defecțiuni.
- Atunci când dispozitivul este mutat brusc dintr-un mediu rece într-unul cald, este posibil să nu funcționeze corespunzător dacă se formează umezeală în interiorul acestuia. Pentru a corecta această problemă, așteptați aproximativ o oră pentru ca umezeala să se evaporeze.
- Nu expuneți dispozitivul la lumina directă a soarelui sau lângă obiecte din apropiere care radiază căldură, pentru a evita deteriorarea unității.
- Pe dispozitiv nu trebuie amplasate surse de flacără deschisă, cum ar fi lumânări aprinse.
- Ventilația nu trebuie să fie împiedicată prin acoperirea orificiilor de ventilație cu articole, cum ar fi ziare, fețe de masă, perdele etc. Asigurați o distanță minimă de 0,1 metri în jurul dispozitivului pentru o ventilație suficientă.
- Utilizați numai atașamente/accesorii specificate de producător.
- Deconectați acest dispozitiv în timpul furtunilor cu fulgere sau atunci când nu este utilizat pentru perioade lungi de timp pentru a preveni deteriorarea acestui dispozitiv.
- Pentru a preveni riscul de incendiu sau de electrocutare, evitați supraîncărcarea prizelor de perete, a prelungitoarelor sau a prizelor de confort integrate.
- Toate lucrările de întreținere trebuie efectuate de personalul calificat de service.

Încărcarea

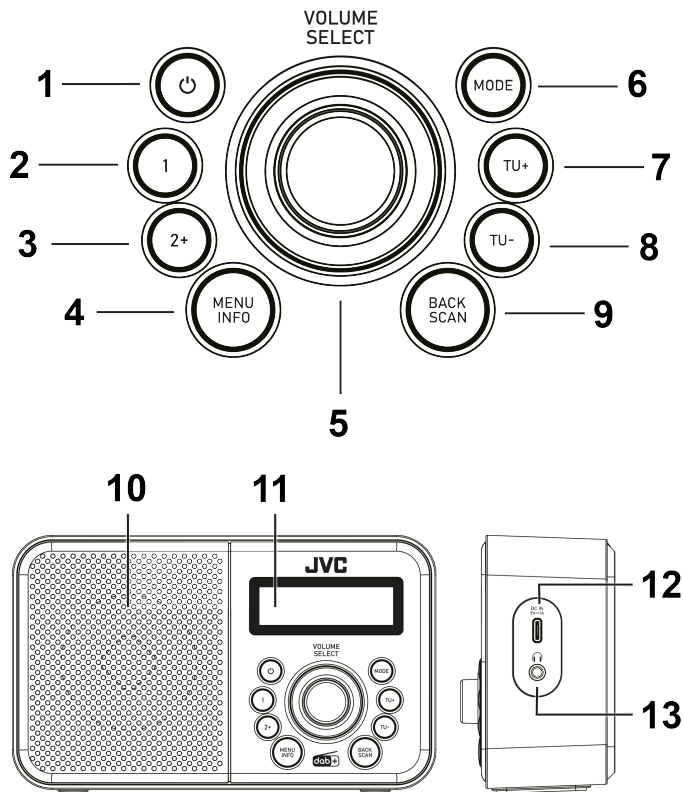
- NU expuneți **NICIODATĂ** dispozitivul la apă în timpul încărcării, deoarece acest lucru poate avea ca rezultat deteriorarea dispozitivului sau a sursei de alimentare.
- NU utilizați **NICIODATĂ** acest dispozitiv cu un cablu deteriorat sau după ce a funcționat defectuos sau a fost deteriorat în vreun fel.
- NU lăsați **NICIODATĂ** dispozitivul nesupravegheat în timpul încărcării. Dacă dispozitivul devine fierbinte, emană fum sau un miros în timpul încărcării, opriți imediat încărcarea

Riscuri asociate cu volume ridicate



Conectați căștile cu volumul setat la o valoare scăzută și măriți volumul dacă este necesar. Ascultarea prelungită prin intermediul unor căști cu setări la volum ridicat poate avea ca rezultat deteriorarea auzului. Pentru a preveni posibilele leziuni auditive, nu ascultați la niveluri ridicate ale volumului pentru perioade prelungite de timp.

PREZENTARE GENERALĂ A PRODUSULUI ȘI BUTOANELE DE CONTROL



1. Buton **STANDBY** (Așteptare)
2. Buton **PRESET 1** (Presetare 1)
3. Buton **PRESET 2+** (Presetare 2+)
4. Buton **MENU/INFO** (Meniu/Informații)
5. Buton **VOLUME/SELECT** (Volum/Selectare)
6. Buton **MODE** (Mod)
7. Buton **TU+**
8. Buton **TU-**
9. Buton **BACK/SCAN** (Înapoi/Scanare)
10. Difuzor
11. Afișaj
12. Port pentru încărcare USB-C™
13. Ieșire căști

NOȚIUNI DE BAZĂ

ÎNCĂRCAREA

Înainte de prima utilizare, încărcați complet bateria încorporată. Încărcătorul nu este inclus în pachet, vă rugăm să încărcați difuzorul prin intermediul unui încărcător standard de 5 V/1,4 A sau prin intermediul unui PC. Pictograma bateriei de pe afișaj indică starea de încărcare.

NOTĂ: Atunci când bateria are nivel scăzut, afișajul afișează <Battery Low> (Baterie descărcată).

IMPORTANT: Vă rugăm să efectuați o încărcare completă la fiecare trei luni pentru a evita scurtarea duratei de viață a bateriei.

FUNȚIONAREA DE BAZĂ

PORNIRE/OPRIRE alimentare

- Apăsați pe butonul **⏻ STANDBY** (Așteptare) pentru a porni unitatea.
- Apăsați și țineți apăsat butonul **⏻ STANDBY** (Așteptare) pentru a comuta unitatea înapoi în modul Standby (Așteptare).

Selectarea modului

Apăsați în mod repetat pe butonul **MODE** (Mod) pentru a comuta între modurile DAB, FM și Bluetooth.

Meniurile Settings (Setări)

- Apăsați și țineți apăsat butonul **MENU/INFO** (Meniu/Informații) pentru a accesa meniul.
- Rotiți butonul **VOLUME/SELECT** (Volum/Selectare) sau apăsați pe butoanele **TU+/TU-** pentru a vă deplasa prin meniuri.
- Apăsați pe butonul **VOLUME/SELECT** pentru a confirma setarea.
- Apăsați pe butonul **BACK/SCAN** (Înapoi/Scanare) pentru a reveni la meniul anterior sau pentru a ieși din meniu.

Selectarea limbii

Pentru a schimba limba, apăsați și țineți apăsat butonul **MENU/INFO**, apoi selectați **<System>/<Jazyk>** (Sistem/Limbă) din meniu.

NOTĂ: Limba implicită este limba cehă. Limbile disponibile sunt slovacă, poloneză, engleză și germană.

Volumul

Rotiți butonul **VOLUME/SELECT** pentru a regla volumul.

PRESETĂRI

Puteți stoca în memorie până la 40 de posturi DAB sau FM favorite. Acest lucru vă va permite să accesați rapid și ușor posturile favorite. Pentru a stoca o presetare, trebuie mai întâi să ascultați postul pe care ați dori să-l salvați.

Stocare pentru presetarea 1

- Apăsați și țineți apăsat butonul **PRESET 1** (Presetare 1) până când afișajul afișează **<Preset 1 stored>** (Nr. presetare stocată).

Stocare pentru presetările 1 ~ 40

- Apăsați și țineți apăsat butonul **PRESET 2+** (Presetare 2+).
- Rotiți butonul **VOLUME/SELECT** sau apăsați pe butoanele **TU+/TU-** pentru a selecta numărul postului presetat dorit, apoi apăsați pe buton pentru a confirma.
- Postul va fi stocat în câteva secunde, afișajul va afișa **<Preset # stored>** (Nr. presetare stocată).

Reapelarea presetării 1

Apăsați pe butonul **PRESET 1**.

Reapelarea presetărilor 1 ~ 40

- Apăsați pe butonul **PRESET 2+**.
- Rotiți butonul **VOLUME/SELECT** sau apăsați pe butoanele **TU+/TU-** pentru a selecta numărul postului presetat dorit, apoi apăsați pe buton pentru a confirma.

*NOTĂ: Dacă alegeți un număr de post presetat cărui nu i-a fost alocat un post, afișajul va afișa **<# Empty>** (Număr nealocat).*

FUNȚIONAREA ÎN MODUL DAB

NOTĂ: Extindeți antena telescopică pe toată lungimea acesteia pentru a obține cea mai bună recepție sau amplasați unitatea într-o locație deschisă.

Dacă unitatea este conectată la alimentarea de la rețea și apoi este pornită pentru prima dată, unitatea va intra automat în modul DAB și va efectua o scanare completă. În timpul scanării afișajul va afișa <Scanning...> (Se scanează...) împreună cu o bară de glisare care indică progresul scanării și numărul de posturi care au fost găsite până în acel moment. După finalizarea scanării, unitatea va selecta primul post alfanumeric găsit.

Pentru a explora și asculta posturile găsite, apăsați pe butoanele **TU+/TU-** pentru a selecta, apoi apăsați pe butonul **VOLUME/SELECT** pentru a confirma.

Scanarea completă

Scanarea completă va căuta toate canalele DAB+ Band III.

- Pentru a activa scanarea completă, apăsați pe butonul **BACK/SCAN** sau apăsați și țineți apăsat butonul **MENU/INFO** și apoi selectați <Full Scan> (Scanare completă).
- După finalizarea unei scanări complete, radioul revine la redarea postului selectat anterior sau comută la redarea primului post din lista de posturi.

Reglarea manuală

Aceasta vă poate ajuta să vă aliniați antena sau să adăugați posturi care lipsesc după o scanare completă.

- Apăsați și țineți apăsat butonul **MENU/INFO** pentru a accesa meniul, apoi selectați <Manual tune> (Reglare manuală).
- Rotiți butonul **VOLUME/SELECT** sau apăsați pe butoanele **TU+/TU-** pentru a selecta numărul canalului DAB dorit, apoi apăsați pe buton pentru a confirma.

NOTĂ: Canalele DAB sunt numerotate de la 5A la 13F. Nu veți mai vedea deloc posturi de radio noi și nu veți mai auzi nimic în timp reglării manuale.

Afișajul DAB (Informații)

Pentru a vizualiza mai multe informații despre postul pe care îl ascultați, apăsați pe butonul **MENU/INFO**, afișajul va afișa următoarele informații:

- Puterea semnalului ca bară de glisare pentru a indica puterea semnalului
- Tipul de program
- Numele multiplexului
- Frecvența
- Eroarea de semnal
- Rata de biți
- Ora/Data
- DLS/Segmentul de etichetă dinamică este un mesaj cu derulare pe care entitatea care difuzează emisiunea radio îl poate include împreună cu transmisiile sale. Mesajul include de obicei informații, cum ar fi detalii despre program etc.

Ștergerea posturilor nevalide

Puteți elimina din listă toate posturile nedisponibile.

- Apăsați și țineți apăsat butonul **MENU/INFO** pentru a accesa meniul, apoi selectați <Prune> (Ștergere).
- Rotiți butonul **VOLUME/SELECT** sau apăsați pe butoanele **TU+/TU-** pentru a selecta <Yes> (Da) pentru a confirma eliminarea, sau selectați <No> (Nu) pentru anulare, apoi apăsați pe buton pentru a confirma.

FUNȚIONAREA ÎN MODUL FM

NOTĂ: Extindeți antena telescopică pe toată lungimea acesteia pentru a obține cea mai bună recepție sau amplasați unitatea într-o locație deschisă.

Scanarea automată

- Pentru a activa scanarea completă, apăsați și țineți apăsat butonul **BACK/SCAN**.
- După finalizarea unei scanări complete, toate posturile găsite sunt stocate în presetări. Pentru a explora posturile stocate în presetări, apăsați pe butonul **PRESET 2+**.

NOTĂ: Căutarea poate să nu se oprească la un post cu un semnal foarte slab.

- Apăsați și țineți apăsat butonul **TU+/TU-** pentru căutarea postului următor/anterior.

Scanarea manuală

- Pentru a căuta manual posturi, apăsați în mod repetat pe butoanele **TU+/TU-** până când ajungeți la frecvența dorită.

NOTĂ: Fiecare apăsare va mări/micșora frecvența cu 0,05 MHz. Dacă recepția este slabă, reglați poziția antenei sau încercați să mutați radioul într-o altă locație.

Afișajul FM (Informații)

Pentru a vizualiza mai multe informații despre postul pe care îl ascultați, apăsați pe butonul **MENU/INFO**, afișajul va afișa următoarele informații:

- Textul radio
- Tipul de program
- Numele postului
- Tipul audio
- Ora/Data

Setarea scanării

Aceasta este o setare de scanare pentru a căuta toate posturile sau pentru a căuta numai posturile cu semnal puternic.

- Apăsați și țineți apăsat butonul **MENU/INFO** pentru a accesa meniul, apoi selectați <Scan Setting> (Setare scanare).
- Rotiți butonul **VOLUME/SELECT** sau apăsați pe butoanele **TU+/TU-** pentru a selecta <Strong Stations Only> (Numai posturile cu semnal puternic) sau <All Stations>, (Toate posturile), apoi apăsați pe buton pentru a confirma.

Setări audio

Această unitate va comuta automat între modul stereo și modul mono, dar puteți anula acest lucru și comuta manual această funcție. Acest lucru poate fi util atunci când vă confrunțați cu o recepție slabă a semnalului.

- Apăsați și țineți apăsat butonul **MENU/INFO** pentru a accesa meniul, apoi selectați <Audio Setting>. (Setare audio).
- Rotiți butonul **VOLUME/SELECT** sau apăsați pe butoanele **TU+/TU-** pentru a selecta <Stereo Allowed> (Stereo permis) sau <Forced Mono> (Forțare la mono), apoi apăsați pe buton pentru a confirma.

BLUETOOTH

- În modul Bluetooth, <Not Connected> (Neconectat) va clipi pe afișaj. Acest lucru înseamnă că unitatea nu este împerecheată cu niciun dispozitiv Bluetooth.
- Activați funcția Bluetooth a telefonului mobil și căutați numele dispozitivului **RA-E313B-DAB**, apoi conectați-l. Dacă împerecherea este reușită, <Connected> (Conectat) se va afișa pe afișaj.

Redarea

- Reglați volumul la nivelul dorit de dumneavoastră.
- Apăsați pe butonul **VOLUME/SELECT** pentru a porni redarea/a pune redarea pe pauză.
- Apăsați pe butonul **TU+/TU-** pentru a sări peste pista următoare/pista anterioară.

NOTĂ: Raza de acțiune dintre unitate și dispozitiv este de aproximativ 8 metri.

Dacă puterea semnalului este slabă, receptorul Bluetooth se poate deconecta, dar va intra din nou automat în modul de împerechere.

Pentru o recepție mai bună a semnalului, îndepărtați orice obstacol dintre unitate și dispozitivul Bluetooth. Nu este garantată compatibilitatea cu toate dispozitivele și cu toate tipurile de suporturi fizice.

Unele telefoane mobile cu funcții Bluetooth se pot conecta și deconecta pe măsură ce efectuați și terminați apeluri. Acesta nu este un indiciu al unei probleme cu unitatea.

SETĂRILE SISTEMULUI

- Apăsați și țineți apăsat butonul **MENU/INFO** pentru a accesa meniul, apoi selectați <System>. (Sistem).

Cronometru pentru repaus

Pentru a seta cronometrul pentru repaus, selectați <Sleep> (Repaus).

- Rotiți butonul **VOLUME/SELECT** sau apăsați pe butoanele **TU+/TU-** pentru a seta cronometrul <Sleep off / 15 / 30 / 45 / 60 / 90 minutes> (Anulare repaus/15/30/45/60/90 de minute), apoi apăsați pe buton pentru a confirma.

NOTĂ: Atunci când cronometrul pentru repaus este setat, <S##> (Repaus) împreună cu timpul rămas se vor afișa pe afișaj.

Alarma

Există două alarme pentru trezire. Pentru a seta alarmele, selectați <Alarm> (Alarmă).

- Rotiți butonul **VOLUME/SELECT** sau apăsați pe butoanele **TU+/TU-** pentru a selecta <Alarm 1 Setup> (Configurare alarmă 1) sau <Alarm 2 Setup> (Configurare alarmă 2), apoi apăsați pe buton pentru a confirma.
- Setati toți parametrii alarmei. Pentru a activa alarma, setați la ultimul pas de configurare <Alarm on> (Alarmă activă).

NOTĂ: Atunci când alarma este activată, pictograma alarmei se va afișa pe afișaj.

Ora/Data

Pentru a seta ora/data, selectați <Time> (Ora).

- Setati ora, data, formatul de oră 12/24 și formatul de dată.
- Ora și data pot fi actualizate automat din DAB și/sau FM. Selectați <Auto update> (Actualizare automată) pentru setări.

Backlight (Iluminare de fundal)

Pentru a seta iluminarea de fundal, selectați <Backlight> (Iluminare de fundal).

- Pentru a seta timpul dorit după care nivelul de iluminare de fundal va scădea, selectați <Timeout> (Expirare timp).
- Pentru a regla nivelul iluminării de fundal a afișajului, selectați <On level> (Nivel).

Egalizatorul

Pentru a seta egalizatorul, selectați <EQ> (Egalizator).

Limba

Pentru a seta limba, selectați <Language> (Limbă).

Resetarea la setările din fabrică

Resetați toate setările utilizatorului la valorile implicite, prin urmare ora, data și preferințele se vor pierde. Pentru a efectua resetarea la setările din fabrică, selectați <Factory Reset> (Resetare la setările din fabrică).

Versiunea software

Pentru a vizualiza versiunea software, selectați <SW version> (Versiune software).

ÎNTREȚINERE/CURĂȚARE

- Asigurați-vă că unitatea este deconectată complet de la priza de rețea înainte de curățare.
- Nu utilizați niciodată solvenți duri sau puternici pentru a curăța dispozitivul, deoarece aceștia pot deteriora suprafața dispozitivului. O lavetă uscată și moale este corespunzătoare, totuși, dacă dispozitivul este extrem de murdar, poate fi șters cu o lavetă ușor umedă. Asigurați-vă că dispozitivul este uscat după curățare.

Atunci când trebuie să expediați dispozitivul, depozitați-l în ambalajul său original. Păstrați ambalajul în acest scop.

SPECIFICAȚII

GENERAL

| | |
|--|------------------------------|
| Tensiune de intrare/curent de intrare c.c. | 5 V / 1,4 A |
| Tip baterie | Litiu-ion (3,7 V / 2200 mAh) |
| Timp de încărcare a bateriei | aprox. 2 ore |
| Tip de redare ca alimentare pe baterie | 17 ore (volum la 50%) |
| Greutate | Aprox. 345 g |
| Dimensiuni | 160 × 98 × 59 mm |
| Temperatură de lucru | +5 °C ~ +35 °C |

SECȚIUNEA RADIO

| | |
|------------------------|---------------------|
| Gama de frecvențe FM | 87,5 – 108 MHz |
| Gama de frecvențe DAB+ | 174.928 – 239,2 MHz |
| Presetări | DAB+ 40/FM 40 |

SECȚIUNEA BLUETOOTH

| | |
|----------------------|-----------------|
| Bluetooth | V 5.0 |
| Gama de frecvențe BT | 2402 – 2480 MHz |
| EIRP | 4 dBm |

SECȚIUNEA AUDIO

| | |
|------------------|--------------|
| Putere de ieșire | 1 × 1,5 wați |
|------------------|--------------|

NE REZERVĂM DREPTUL DE A MODIFICA SPECIFICAȚIILE TEHNICE.

CONȚINUTUL AMBALAJULUI

Radio digital DAB+/FM, cablu de încărcare USB-C, manual de utilizare

GARANȚIE

Capacitatea bateriei produsului scade în timp. Scăderea capacității bateriei are loc pe parcursul utilizării normale a aparatului și este considerată ca reprezentând uzura normală a aparatului. Scăderea capacității bateriei nu reprezintă un defect al aparatului.

Informații despre produs și despre rețeaua de puncte de service pot fi găsite la adresa de internet www.JVCAUDIO.ro



AVERTIZARE: NU UTILIZAȚI ACEST PRODUS LÂNGĂ APĂ, ÎN ZONE UMEDE, PENTRU A EVITA INCENDIUL, VĂTĂMAREA CORPORALĂ SAU ELECTROCUTAREA. OPRIȚI ÎNTOTDEAUNA PRODUSUL CÂND NU ÎL UTILIZAȚI SAU ÎNAINTE DE O REVIZIE. ÎN ACEST APARAT NU EXISTĂ PIESE CARE SĂ POATĂ FI REPARATE DE CĂTRE CLIENT. APELAȚI ÎNTOTDEAUNA LA UN SERVICE CALIFICAT AUTORIZAT. PRODUSUL SE AFLĂ SUB O TENSIUNE PERICULOASĂ.



PENTRU A EVITA PERICOLUL DE SUFOCARE, NU LĂSAȚI PUNGA DIN PLASTIC LA ÎNDEMÂNA BEBELUȘILOR ȘI A COPIILOR. NU UTILIZAȚI ACEASTĂ PUNGĂ ÎN PATURI OBIȘNUITE, PATURI PENTRU COPII, CĂRUȚIOARE PENTRU COPII SAU ȚARCURI PENTRU COPII. ACEASTĂ PUNGĂ NU ESTE O JUCĂRIE.

Eliminarea echipamentelor electrice și electronice uzate (valabilă în țările Uniunii Europene și în alte țări europene cu sisteme de colectare separate)



Acest simbol aflat pe produs sau pe ambalajul produsului indică faptul că acest produs nu trebuie tratat drept deșeu menajer. În schimb, produsul trebuie predat la punctul de colectare aplicabil pentru reciclarea echipamentelor electrice și electronice. Asigurându-vă că acest produs este eliminat în mod corect, veți ajuta la prevenirea posibilelor consecințe negative asupra mediului și asupra sănătății umane care altfel ar putea fi cauzate de manipularea inadecvată a deșeurilor acestui produs. Reciclarea materialelor contribuie la conservarea resurselor naturale. Pentru informații mai detaliate privind reciclarea acestui produs, vă rugăm să contactați primăria locală, serviciul local de eliminare a deșeurilor menajere sau magazinul de la care ați achiziționat produsul.



Cuvântul de marcă și siglele Bluetooth® sunt sigle și mărci înregistrate deținute de Bluetooth SIG, Inc. și orice utilizare a acestor mărci de către JENMART INDUSTRIAL (HK) CO., LIMITED se efectuează pe bază de licență. Alte mărci comerciale și nume comerciale aparțin deținătorilor respectivi.

Prin prezenta, ETA a.s. declară că echipamentul radio de tip RA-E313B-DAB este conform cu Directiva 2014/53/UE. Textul integral al Declarației de conformitate UE este disponibil la următoarea adresă Internet: www.JVCAUDIO.cz/doc

ВЪВЕДЕНИЕ

- Благодарим Ви, че закупихте нашия продукт.
- Моля, прочетете изцяло това Ръководство за експлоатация, за да знаете как да работите правилно с апарата. След като прочетете Ръководството за експлоатация, го поставете на безопасно място за бъдещи справки.

УКАЗАНИЯ ЗА БЕЗОПАСНОСТ

Общи указания

- Обърнете внимание на всички предупреждения - маркирани на продукта, както и в Ръководството за експлоатация.
- Устройството трябва да се ползва в умерен климат.
- Не ползвайте това устройство близо до баня, умивалник, кухненска мивка и пералня, във влажно мазе, близо до басейн или на което и да е място близо до вода или влажно.
- Устройството не трябва да е изложено на капеща или пръскаща вода. Върху него не трябва да се поставят обекти, съдържащи вода, например вази.
- Предпазвайте устройството от дъжд и навлажняване. Не поставяйте устройството във влажна среда, която ще причини неизправност.
- Когато устройството бъде преместено от студена в топла среда, в него може да се образува влага, която да причини неизправност. За да избегнете този проблем, изчакайте около един час, за да се изпари влагата.
- Не излагайте устройството на пряка слънчева светлина или близо до обекти, които излъчват топлина, за да избегнете повреждането му.
- Върху устройството не трябва да се поставят източници на открит пламък, като запалени свещи.
- Охлаждането на устройството не трябва да бъде затруднено чрез закриване на вентилационните му отвори с неща като вестници, покривки за маса, завеси и други. Оставете минимум 10 сантиметра свободно пространство около устройството за достатъчно вентилиране.
- Ползвайте само принадлежности, посочени от производителя.
- За да предотвратите повреда, изключвайте устройството от контакта по време на гръмотевична буря или когато няма да се ползва дълго време.
- За да не допуснете риск от пожар или електрически удар, не допускате претоварване на стенните контакти, удължителните кабели или разклонителите.
- За всички сервизни дейности се обръщайте към квалифицирани специалисти.

Зареждане

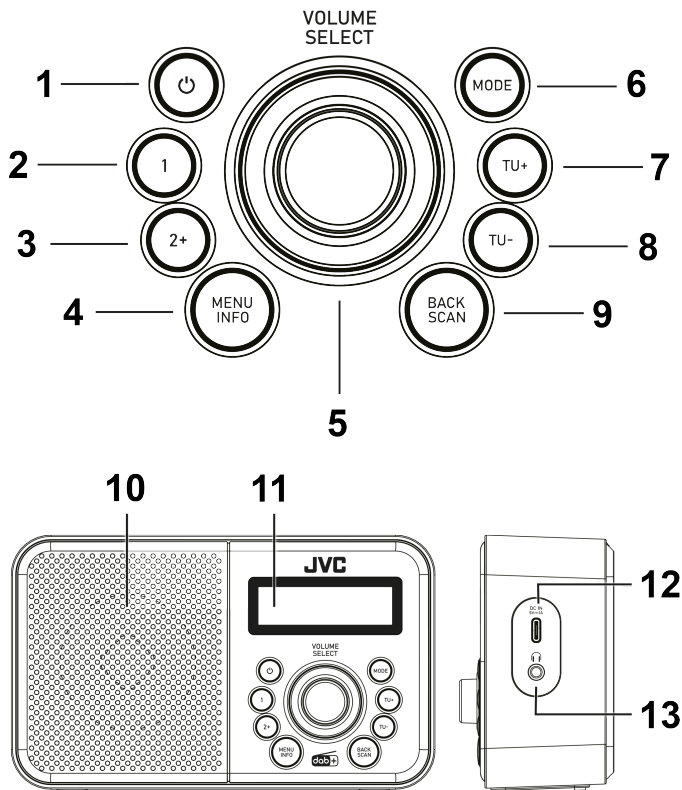
- **НИКОГА** не излагайте устройството под въздействието на вода по време на зареждане, тъй като може да се повреди самото то или източникът на заряден ток.
- **НИКОГА** не ползвайте устройството, ако кабелът му е повреден или то работи неправилно или е повредено по какъвто и да е начин.
- **НИКОГА** не оставяйте устройството без наблюдение по време на зареждане. Ако по време на зареждане устройството се нагорещи, запуши или замирише на изгоряло, прекратете веднага зареждането.

Рискове, свързани със силния звук



Включете слушалките при предварително настроен слаб звук и след това увеличете силата му, ако е необходимо. Продължително слушане със слушалки при висока сила на звука може да увреди слуха ви. За да се предотврати увреждане на слуха ви, не слушайте продължително силен звук.

ОПИСАНИЕ НА АПАРАТА И ЕЛЕМЕНТИТЕ ЗА УПРАВЛЕНИЕ



1. **⏻** Бутон **STANDBY** (Готовност)
2. Бутон **PRESET 1**
(Запаметена станция 1)
3. Бутон **PRESET 2+**
(Запаметени станции 2+)
4. Бутон **MENU/INFO** (Меню/Информация)
5. Ръкохватка **VOLUME/SELECT**
(Сила на звука/Избор)
6. Бутон **MODE** (Режим)
7. Бутон **TU+**
8. Бутон **TU-**
9. Бутон **BACK/SCAN**
(Обратно/Сканиране)
10. Високоговорител
11. Дисплей
12. USB-C™ зареждащ порт
13. Извод за слушалки

ДА ЗАПОЧНЕМ

ЗАРЕЖДАНЕ

Преди ползване на устройството за първи път, заредете напълно вградената акумулаторна батерия. Зарядното устройство не е включено в комплекта; зареждайге устройството със стандартен адаптер 5 V / 1,4 A или от компютър. Иконата на батерия на дисплея показва степента на зареждане.

БЕЛЕЖКА: Когато батерията се разреди, дисплеят ще показва <Battery Low> (Батерията е разредена).

ВАЖНО: Моля, правете пълно зареждане на всеки три месеца, за да избегнете съкращаване на живота на батерията.

ОСНОВНИ ОПЕРАЦИИ

Включване/Изключване на захранването

- Натиснете бутона **⏻ STANDBY** (Готовност).
- Натиснете и задръжте бутона **⏻ STANDBY** (Готовност), за да поставите устройството обратно в режим Standby.

Избор на режим

Натиснете няколкократно бутона **MODE** (Режим), за да превключвате между режимите DAB (Цифрово радио), FM (УКВ) и Bluetooth (Блутут).

Менюта за настройки

- Натиснете и задръжте бутона **MENU/INFO** (Меню/Информация), за да влезете в менюто.
- Завъртете ръкохватката **VOLUME/SELECT** (Сила на звука/Избор) или натискайте бутоните **TU+/TU-**, за да преминавате през менютата.
- Натиснете ръкохватката **VOLUME/SELECT**, за да потвърдите настройката.
- Натиснете бутона **BACK/SCAN** (Обратно/Сканиране), за да се върнете в предишното меню или за да излезете от менюто.

Избор на език

За да смените езика, натиснете и задръжте бутона **MENU/INFO**, след което изберете <Systém>/<Jazyk> от менюто.

БЕЛЕЖКА: Езикът по подразбиране е Чешки. Други избираеми езици са Slovak, Polish, English и German.

Сила на звука

Завъртете ръкохватката **VOLUME/SELECT**, за да настроите силата на звука.

ЗАПАМЕТЕНИ РАДИОСТАНЦИИ

Можете да запаметите до 40 от любимите ви DAB или FM радиостанции. Това ще ви позволи да изберете бързо и лесно вашите предпочитани станции. За да запаметите дадена радиостанция като Preset (Предварително запаметена), трябва първо да я изберете и слушате.

Запаметяване в Presets 1

- Натиснете и задръжте бутона **PRESET 1**, докато дисплеят покаже <Preset 1 stored>.

Запаметяване в Presets 1 ~ 40

- Натиснете и задръжте бутона **PRESET 2+**.
- Завъртете ръкохватката **VOLUME/SELECT** или натискайте бутоните **TU+/TU-**, за да изберете номера на желаната запаметена станция, след което натиснете ръкохватката, за да потвърдите.
- Станцията ще бъде запаметена за няколко секунди и дисплеят ще покаже <Preset # stored>.

Избор на запаметена станция от Presets 1

Натиснете бутона **PRESET 1**.

Избор на запаметена станция от Presets 1 ~ 40

- Натиснете бутона **PRESET 2+**.
- Завъртете ръкохватката **VOLUME/SELECT** или натиснете бутоните **TU+/TU-**, за да изберете номера на желаната запаметена станция, след което натиснете ръкохватката, за да потвърдите.

БЕЛЕЖКА: Ако изберете номер, за който няма присвоена запаметена станция, дисплеят ще покаже <# Empty> (Празен).

РАБОТА В РЕЖИМ DAB (ЦИФРОВО РАДИО)

БЕЛЕЖКА: Изтеглете докрай телескопичната антена, за да получите най-добро приемане или поставете устройството на открито място.

Ако устройството е свързано към ел.мрежа и се включва за първи път, то автоматично ще влезе в режим DAB (Цифрово радио) и ще изпълни функцията Автоматично сканиране.

По време на сканирането дисплеят ще показва <Scanning...> заедно с индикаторна лентичка за хода на сканирането и броя на станциите, намерени до момента. След като сканирането завърши, устройството ще избере първата намерена станция по азбучен ред.

За да изследвате и слушате намерените станции, натиснете бутоните **TU+/TU-**, за да изберете, след което натиснете ръкохватката **VOLUME/SELECT**, за да потвърдите.

Пълно сканиране (Full Scan)

Функцията Full Scan (Пълно сканиране) изпълнява търсене във всички канали DAB+ Band III.

- За да активирате Full Scan (Пълно сканиране), натиснете бутона **BACK/SCAN** или натиснете и задръжте бутона **MENU/INFO**, след което изберете <Full Scan>.
- След като пълното сканиране завърши, радиото възпроизвежда предишната избрана станция или първата станция от списъка със станции.

Ръчна настройка (на станция)

Тази функция може да ви помогне да нагласите антената или да добавите станции, които не са засечени при пълното сканиране.

- Натиснете и задръжте бутона **MENU/INFO**, за да влезете в менюто и след това изберете <Manual tune>.
- Завъртете ръкохватката **VOLUME/SELECT** или натиснете бутоните **TU+/TU-**, за да изберете желаня DAB канал, след което натиснете ръкохватката, за да потвърдите.

БЕЛЕЖКА: DAB каналите са номерирани от 5A до 13F. При ръчната настройка на станции няма да виждате никакви нови станции и да чувате каквото и да е.

DAB Display (Info.) (Цифрова информация)

За да виждате допълнителна информация за станцията, която слушате, натиснете бутона **MENU/INFO** и дисплеят ще покаже следната информация:

- Signal Strength (Сила на сигнала) - като индикаторна лентичка
- Program Type (Тип програма)
- Name of the multiplex (Име на мултиплекса /алтернативен аудио канал/)
- Frequency (Честота)
- Signal Error (Грешка на сигнала)
- Bitrate (Скорост на предаване в битове/сек)
- Time / Date (Час / Дата)
- DLS / Динамичен етикет, който е течащо по екрана съобщение, включено в предаването от излъчващата станция. Съобщението обикновено включва информация като сведения за програмата и друго.

Функция Prune Invalid (Премахване на невалидните)

От този списък можете да премахнете всички недостъпни станции.

- Натиснете и задръжте бутона **MENU/INFO**, за да влезете в менюто, след което изберете <Prune>.
- Завъртете ръкохватката **VOLUME/SELECT** или натиснете бутоните **TU+/TU-**, за да изберете <Yes> за потвърждаване на премахването или изберете <No>, за да го отмените. Накрая натиснете ръкохватката, за да потвърдите.

РАБОТА В РЕЖИМ FM (УКВ)

БЕЛЕЖКА: Изтеглете докрай телескопичната антена, за да получите най-добро приемане или поставете устройството на открито място.

Функция Auto Scan (Автоматично сканиране)

- За да активирате Full Scan (Пълно сканиране), натиснете и задръжте бутона **BACK/SCAN**.
- След като пълното сканиране завърши, всички намерени станции се запамятват в Presets. За да изследвате запаменените станции, натиснете бутона **PRESET 2+**.

БЕЛЕЖКА: Търсенето може да не спре при станция с много слаб сигнал.

- Натиснете и задръжте бутоните **TU+/TU-**, за да търсите следващата/придшната станция.

Manual Scan (Ръчно сканиране)

- За да търсите ръчно станции, натиснете няколкократно бутоните **TU+/TU-**, докато достигнете желаната честота.

БЕЛЕЖКА: Всяко натискане увеличава/намалява честотата с 0,05 MHz. Ако приемането не е добро, променете ориентацията на антената или преместете устройството на друго място.

FM Display (Info.) (Цифрова информация)

За да видите допълнителна информация за станцията, която слушате, натиснете бутона **MENU/INFO** и дисплеят ще покаже следната информация:

- Radio Text (Радиотекст)
- Program Type (Тип програма)
- Name of the Station (Име на станцията)
- Audio Type (Тип аудио)
- Time / Date (Час / Дата)

Scan Setting (Вид сканиране)

Това е настройка за сканиране с търсене на всички станции или за търсене само на станции със силен сигнал.

- Натиснете и задръжте бутона **MENU/INFO**, за да влезете в менюто и след това изберете <Scan Setting>.
- Завъртете ръкохватката **VOLUME/SELECT** или натиснете бутоните **TU+/TU-**, за да изберете <Strong Stations Only> (Само силните станции) или <All Stations> (Всички станции), след което натиснете ръкохватката, за да потвърдите.

Аудио настройки

Това устройство превключва автоматично между стерео и моно режим, но можете да преодолеете това и да превключвате режимите ръчно. Това може да е полезно при приемане на слаб сигнал.

- Натиснете и задръжте бутона **MENU/INFO**, за да влезете в менюто и след това изберете <Audio Setting>.
- Завъртете ръкохватката **VOLUME/SELECT** или натиснете бутоните **TU+/TU-**, за да изберете <Stereo Allowed> (Разрешено стерео) или <Forced Mono> (Задължително моно), след което натиснете ръкохватката за да потвърдите.

BLUETOOTH (БЛУТУТ РЕЖИМ)

- В режим Bluetooth (Блутут) на дисплея мига съобщението <Not Connected> (Несвързан). Това означава, че устройството не е сдвоено с никакво Bluetooth външно устройство.

- Активирайте Bluetooth на мобилния си телефон и потърсете име на устройство **RA-E313B-DAB**, след което го свържете. Ако сдвояването е успешно, на дисплея ще се покаже <Connected> (Свързан) .

Възпроизвеждане

- Настройте силата на звука до желаното ниво.
- Натиснете ръкохватката **VOLUME/SELECT**, за да стартирате възпроизвеждането или да направите пауза.
- Натиснете бутоните **TU+/TU-**, за да преминете на следващата/предишната пътечка.

БЕЛЕЖКА: Работният обхват за връзка между Блутут устройствата е приблизително 8 метра.

Ако сигналът е слаб, приемникът за функцията Bluetooth може да прекъсне връзката, но автоматично ще я възстанови.

За по-добро приемане на сигнала, премахнете всички препятствия между устройствата с връзка по Bluetooth.

Съвместимост по Блутут между всички видове устройства и медии не е гарантирана.

Някои мобилни телефони с функция Bluetooth може да осъществяват и прекъсват връзката при започване и завършване на разговора. Това не е неизправност на устройството.

СИСТЕМНИ НАСТРОЙКИ (SYSTEM SETTINGS)

- Натиснете и задръжте бутона **MENU/INFO**, за да влезете в менюто и след това изберете <System>.

Таймер за функция Sleep (Заспиване)

За да настроите таймера за заспиване, изберете <Sleep>.

- Завъртете ръкохватката **VOLUME/SELECT** или натиснете бутоните **TU+/TU-**, за да изберете опция за таймера <Sleep off (Изключен) / 15 / 30 / 45 / 60 /90 минути>, след което натиснете ръкохватката, за да потвърдите.

БЕЛЕЖКА: Когато таймерът е настроен, на дисплея ще се показва <S##> с оставащото време (до задействането му).

Alarm (Аларма)

На разположение са две аларми за събуждане. За да настроите алармите, изберете <Alarm>.

- Завъртете ръкохватката **VOLUME/SELECT** или натиснете бутоните **TU+/TU-**, за да изберете <Alarm 1 Setup> или <Alarm 2 Setup>, след което натиснете ръкохватката, за да потвърдите.
- Задайте всички параметри на alarm. За да активирате алармата, в последната стъпка от настройката изберете <Alarm on> (Аларма включена).

БЕЛЕЖКА: Когато алармата е активирана, на дисплея ще се появи съответната икона.

Time/Date (Час/Дата)

За да настроите часа/датата, изберете <Time>.

- Задайте час, дата, формат за часа - 12/24 и формат на датата.
- Часът и датата могат да се актуализират от DAB и/или FM автоматично. За целта изберете за настройките <Auto update>.

Backlight (Подсветка)

За да установите степента на подсветката на дисплея, изберете <Backlight >.

- За да настроите желания времеинтервал, след който степента на подсветка на дисплея ще се намали, изберете <Timeout>.
- За да настроите степента на подсветка, изберете <On level> (Степен на подсветка при активен дисплей).

Equalizer (Икуалайзер /Изравнител, Честотен коректор/)

За да настроите икуалайзера, изберете <EQ>.

Language (Език)

За да посочите езика, изберете <Language>.

Factory Reset (Връщане към фабричните настройки)

Тази функция установява всички потребителски настройки във фабричните им стойности, така че настроените час, дата и други предпочитания ще бъдат загубени. За да бъде изпълнена функцията Factory Reset (Връщане към фабричните настройки), изберете <Factory Reset>.

Версия на софтуера (Software Version)

За да видите версията на софтуера, изберете <SW version>.

ПОДДЪРЖАНЕ И ПОЧИСТВАНЕ

- Преди почистване се уверете, че устройството е напълно изключено от стенния контакт.
- Никога не ползвайте силно действащи разтворители за почистване на апарата, тъй като те могат да повредят повърхността му. Суха и мека кърпа е подходящо средство за почистване, но ако апаратът е твърде замърсен, може да бъде изтрил с леко навлажнена кърпа. Уверете се, че след почистване апаратът е напълно изсушен.

Когато е нужно да изпратите апарата някъде, ползвайте оригиналната му опаковка. За тази цел запазете опаковката.

ТЕХНИЧЕСКИ ХАРАКТЕРИСТИКИ

ОБЩА ИНФОРМАЦИЯ

| | |
|--------------------------------------|----------------------------------|
| Зарядно постоянноково напрежение/ток | 5 V / 1,4 A |
| Тип батерия | Литиево-йонна (3,7 V / 2200 mAh) |
| Време за зареждане на батерията | приблизително 2 часа |
| Време за ползване на батерия | 17 часа (При 50 % сила на звука) |
| Тегло | приблизително 345 g |
| Размери | 160 × 98 × 59 mm |
| Работна околна температура | +5 °C ~ +35 °C |

СЕКЦИЯ РАДИОПРИЕМНИК

| | |
|------------------------------------|---------------------|
| Честотен диапазон в режим УКВ (FM) | 87.5 – 108 MHz |
| Честотен диапазон на DAB+ | 174,928 – 239,2 MHz |
| Запометени канали (Preset) | DAB+ 40 / FM 40 |

СЕКЦИЯ БЛУТУТ (BLUETOOTH)

| | |
|----------------------|-----------------|
| Bluetooth версия | V 5.0 |
| BT честотен диапазон | 2402 – 2480 MHz |
| EIRP | 4 dBm |

СЕКЦИЯ АУДИО (AUDIO)

| | |
|---------------------------|--------------|
| Изходна ефективна мощност | 1 × 1,5 Watt |
|---------------------------|--------------|

ЗАПАЗВАМЕ ПРАВОТО СИ ЗА ПРОМЕНИ В ТЕХНИЧЕСКИТЕ СПЕЦИФИКАЦИИ.

СЪДЪРЖАНИЕ НА ОПАКОВКАТА

DAB+/FM Цифрово радио, USB-C заряден кабел, Ръководство за експлоатация

ГАРАНЦИЯ

Капацитетът на батерията на продукта намалява с времето. Това явление се наблюдава при нормална употреба на продукта и е част от естественото му износване. Намалението на капацитета на батерията не е дефект на продукта.

Информация за продукта и сервизната мрежа може да бъде намерена на Интернет адрес www.JVCAUDIO.bg



ПРЕДУПРЕЖДЕНИЕ: НЕ ПОЛЗВАЙТЕ ТОЗИ УРЕД БЛИЗО ДО ВОДА ИЛИ ВЛАЖНИ МЕСТА, ЗА ДА СЕ ИЗБЕГНЕ ВЪЗПЛАМЕНЯВАНЕ ИЛИ НАРАНЯВАНЕ ОТ ЕЛЕКТРИЧЕСКИ УДАР. ВИНАГИ ИЗКЛЮЧВАЙТЕ УРЕДА КОГАТО НЕ ГО ПОЛЗВАТЕ ИЛИ ПРЕДИ СЕРВИЗНО ОБСЛУЖВАНЕ. В ТОЗИ УРЕД НЯМА ЧАСТИ, КОИТО МОГАТ ДА БЪДАТ РЕМОНТИРАНИ ОТ ПОТРЕБИТЕЛЯ. ВИНАГИ СЕ ОБРЪЩАЙТЕ КЪМ УПЪЛНОМОЩЕН СЕРВИЗ С КВАЛИФИЦИРАН ПЕРСОНАЛ. УРЕДЪТ СЕ ЗАХРАНВА ОТ ОПАСНО НАПРЕЖЕНИЕ.



ЗА ДА СЕ ИЗБЕГНЕ ОПАСНОСТТА ОТ ЗАДУШАВАНЕ, ДРЪЖТЕ ПЛАСТМАСОВАТА ЧАНТА ДАЛЕЧ ОТ БЕБЕТА И ДЕЦА. НЕ ПОЛЗВАЙТЕ ТАЗИ ЧАНТА В ДЕТСКИ КОШЧЕТА, ДЕТСКИ КОЛИЧКИ ИЛИ ДЕТСКИ КОШАРКИ. ТАЗИ ЧАНТА НЕ Е ИГРАЧКА.

Изхвърляне на стари електрически и електронни уреди (Приложимо в Европейския съюз и други европейски страни с разделно събиране на отпадъците)



Този символ върху продукта или опаковката му показва, че продуктът не трябва да се счита за домашен отпадък. Той трябва да бъде предаден в подходящ пункт за рециклиране на електрическо и електронно оборудване. Когато изхвърлите този продукт екологично правилно, ще помогнете за предотвратяване на потенциално негативните последствия за околната среда и човешкото здраве, които биха били причинени при неправилно изхвърляне на продукта. Рециклирането на материалите ще помогне за запазване на природните ресурси. За по-подробна информация по рециклирането на този продукт, можете да се свържете със съответната служба на общината или службата по чистотата на града или магазина, от който сте закупили продукта.



Името и логото на Bluetooth® са регистрирани търговски марки на Bluetooth SIG, Inc. Ползването на тези марки от JENMART INDUSTRIAL (HK) CO., LIMITED. е въз основа на лиценз. Други търговски марки и наименования принадлежат на техните собственици.

С настоящето, ETA a.s. декларира, че радиоустройството тип RA-E313B-DAB съответства на Директива на ЕС 2014/53/EU. Пълният текст на Декларацията за съответствие с директивите на ЕС е достъпен на следния Интернет адрес: www.JVCAUDIO.cz/doc

JVC

This product is manufactured and distributed exclusively by **ETA a.s.**,
serviced and warranted by its designated partner.
“**JVC**” is the trademark of **JVCKENWOOD Corporation**,
used by such company under license.